

**AXOR Universal Softsquare
Shelf 12"**

Finish: **Polished Nickel** Part no. : **42838830**



Features

- Wall-mounted
- Two adapter sets # 42870XXX must be used when installing on a rail
- Can be combined with toilet paper holder #42836XXX (adapter #42870XXX necessary)
- Material frame: metal
- Material shelf: made of safety glass
- With mounting material
- Concealed fastening
- Diameter drill hole: 1/4" in
- Suitable for shower

Item details

List Price \$ 578.00

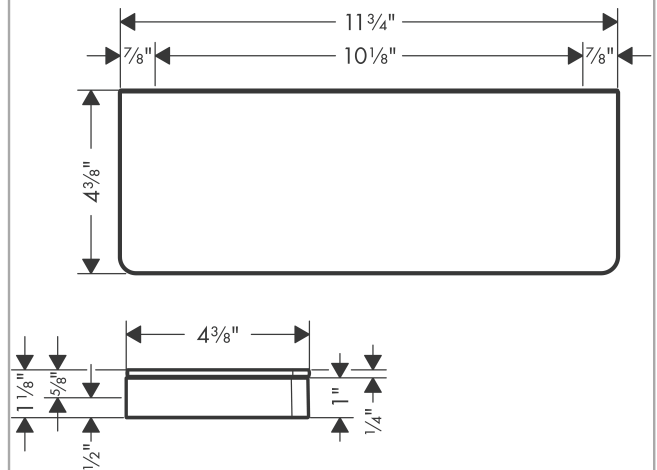
Design awards



Product image



Scale drawing



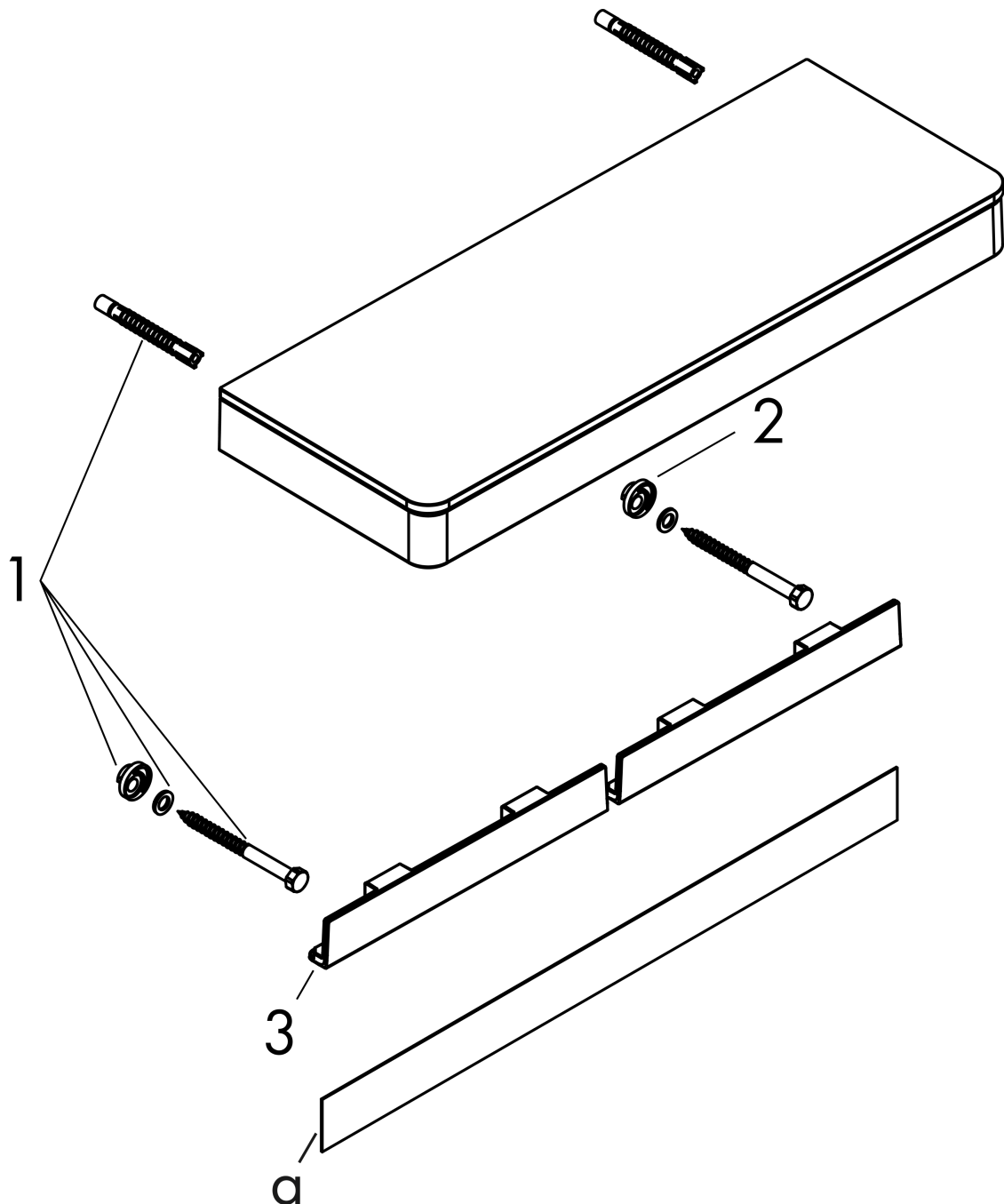
**AXOR Universal Softsquare
Shelf 12"**

Finish: **Polished Nickel** Part no. : **42838830**



Exploded drawing

Year of production: 11/16 - 12/19



**AXOR Universal Softsquare
Shelf 12"**

Finish: **Polished Nickel** Part no. : **42838830**



Spare parts list

Year of production: **11/16 - 12/19**

| Pos. | | Part no. | Price | PU |
|------|------------------|----------|-------|----|
| 1 | mounting set | 92841000 | - | 1 |
| 2 | excentric socket | 97604000 | - | 1 |
| 3 | cover | 92427830 | - | 1 |
| a | cover | 42891830 | - | 1 |
| b | set of adapters | 42870830 | - | 1 |