

AXOR Universal Softsquare Shelf 6"

Finish: **Polished Nickel** Part no. : **42840830**



Features

- Wall-mounted
- Adapter set #42870XXX must be used when installing on a rail
- Can be combined with toilet paper holder #42836XXX (adapter #42870XXX necessary)
- Material frame: metal
- Material shelf: made of safety glass
- With mounting material
- Concealed fastening
- Diameter drill hole: 1/4" in
- Suitable for shower

Item details

List Price \$ 391.00

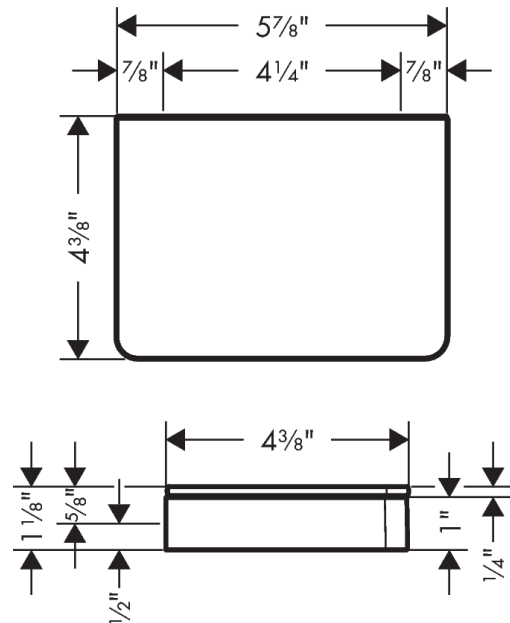
Compliance / Sustainability



Product image



Scale drawing



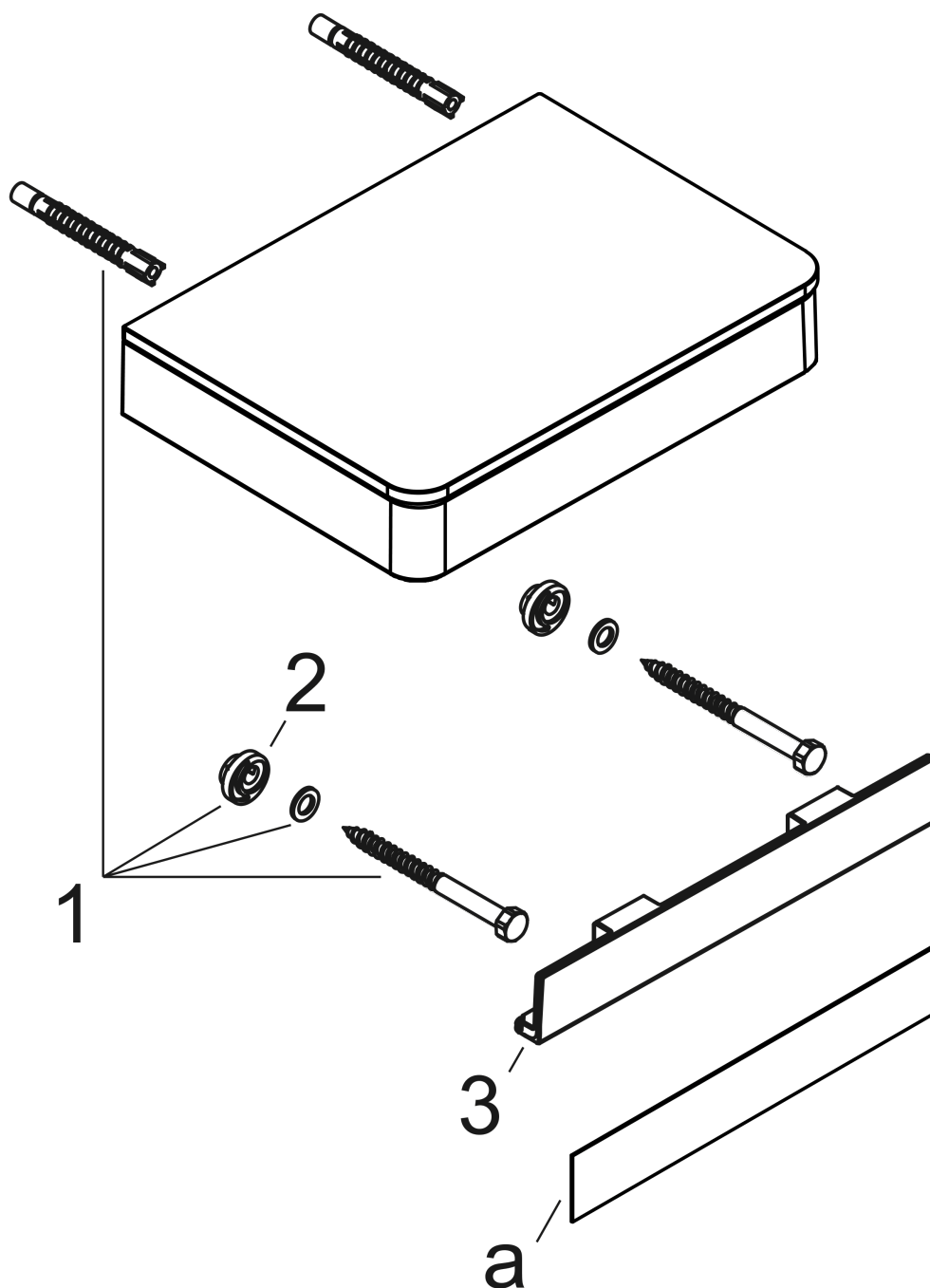
**AXOR Universal Softsquare
Shelf 6"**

Finish: **Polished Nickel** Part no. : **42840830**



Exploded drawing

Year of production: **06/17 - 12/19**



**AXOR Universal Softsquare
Shelf 6"**

Finish: **Polished Nickel** Part no. : **42840830**



Spare parts list

Year of production: **06/17 - 12/19**

Pos.		Part no.	Price	PU
1	mounting set	92841000	-	1
2	excentric socket	97604000	-	1
3	cover	92427830	-	1
a	cover	42890830	-	1