

## AXOR Universal Circular Roll Holder with Cover

Finishes : Part no. : **42858000**



### Features

- Wall-mounted
- Metal
- With mounting material
- Concealed fastening
- Diameter of drilled hole: 6 mm

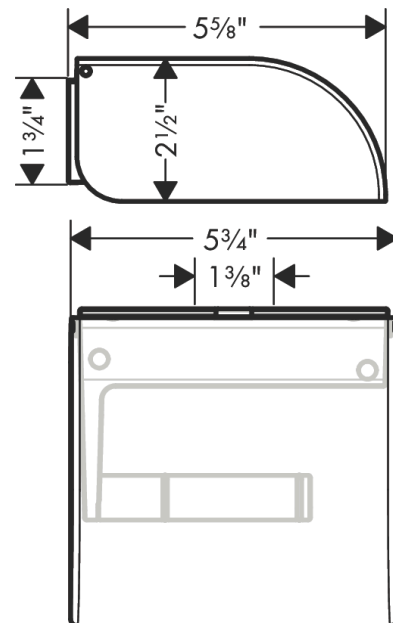
### Item details

List Price

### Product image



### Scale drawing



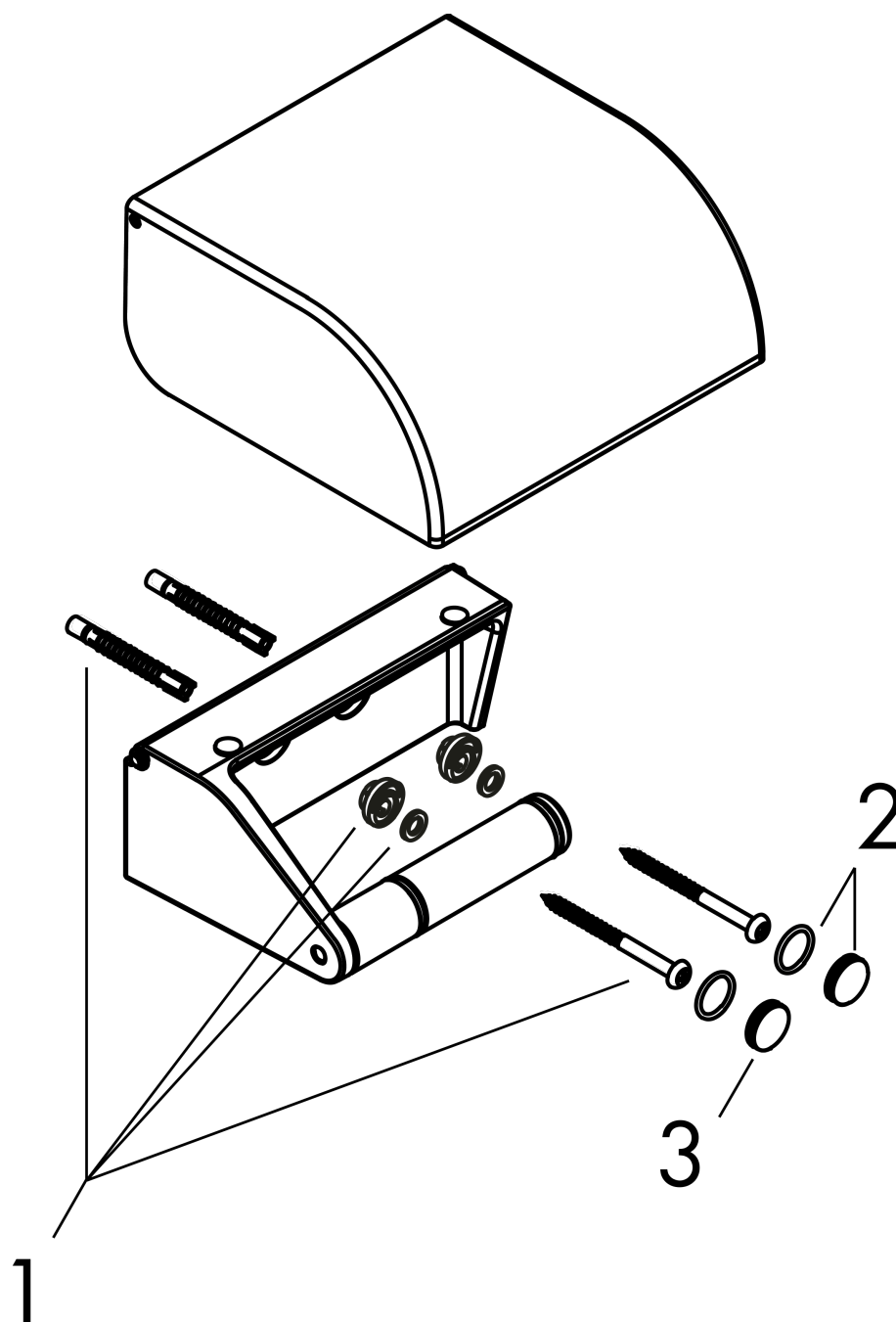
**AXOR Universal Circular  
Roll Holder with Cover**

Finishes : Part no. : **42858000**



**Exploded drawing**

Year of production: >10/21



**AXOR Universal Circular  
Roll Holder with Cover**

Finishes : Part no. : **42858000**



## Spare parts list

Year of production: >10/21

Pos.		Part no.	Price	PU
1	mounting set	96179000	-	1
2	set of covers	92437000	-	1
3	O-ring 13x1,5	98475000	-	1