

**AXOR Universal Circular  
Roll Holder with Cover**

Finishes : Part no. : **42858670**



**Features**

- Wall-mounted
- Metal
- With mounting material
- Concealed fastening
- Diameter of drilled hole: 6 mm

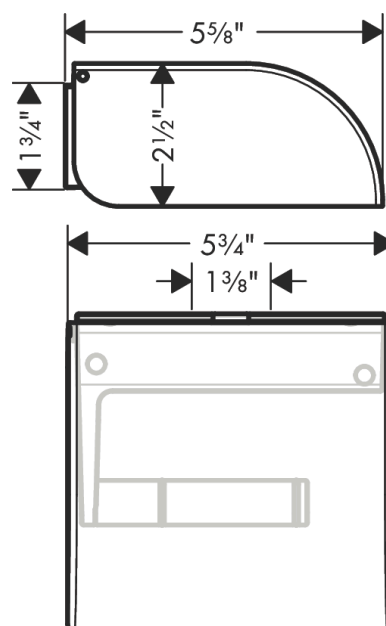
**Item details**

List Price

**Product image**



**Scale drawing**



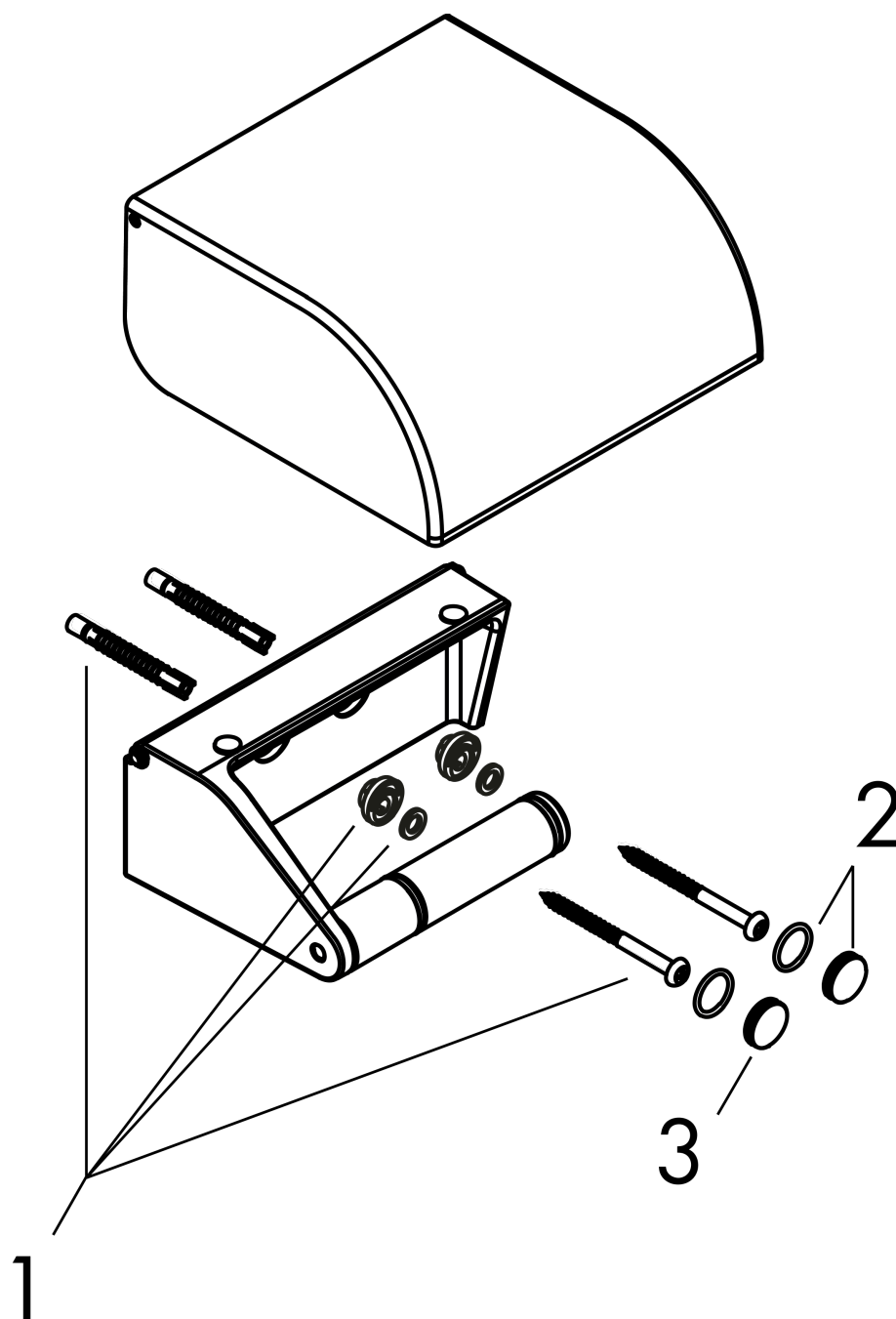
**AXOR Universal Circular  
Roll Holder with Cover**

Finishes : Part no. : **42858670**



**Exploded drawing**

Year of production: >12/21



**AXOR Universal Circular  
Roll Holder with Cover**

Finishes : Part no. : **42858670**



## Spare parts list

Year of production: >12/21

Pos.		Part no.	Price	PU
1	mounting set	92841000	-	1
2	O-ring 13x1,5	98475000	-	1
3	set of covers	92437670	-	1