

**AXOR Universal Circular
Roll Holder with Cover**

Finishes : Part no. : **42858820**



Features

- Wall-mounted
- Metal
- With mounting material
- Concealed fastening
- Diameter of drilled hole: 6 mm

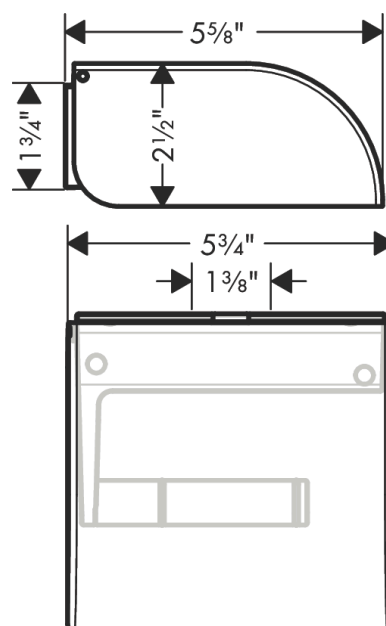
Item details

List Price

Product image



Scale drawing



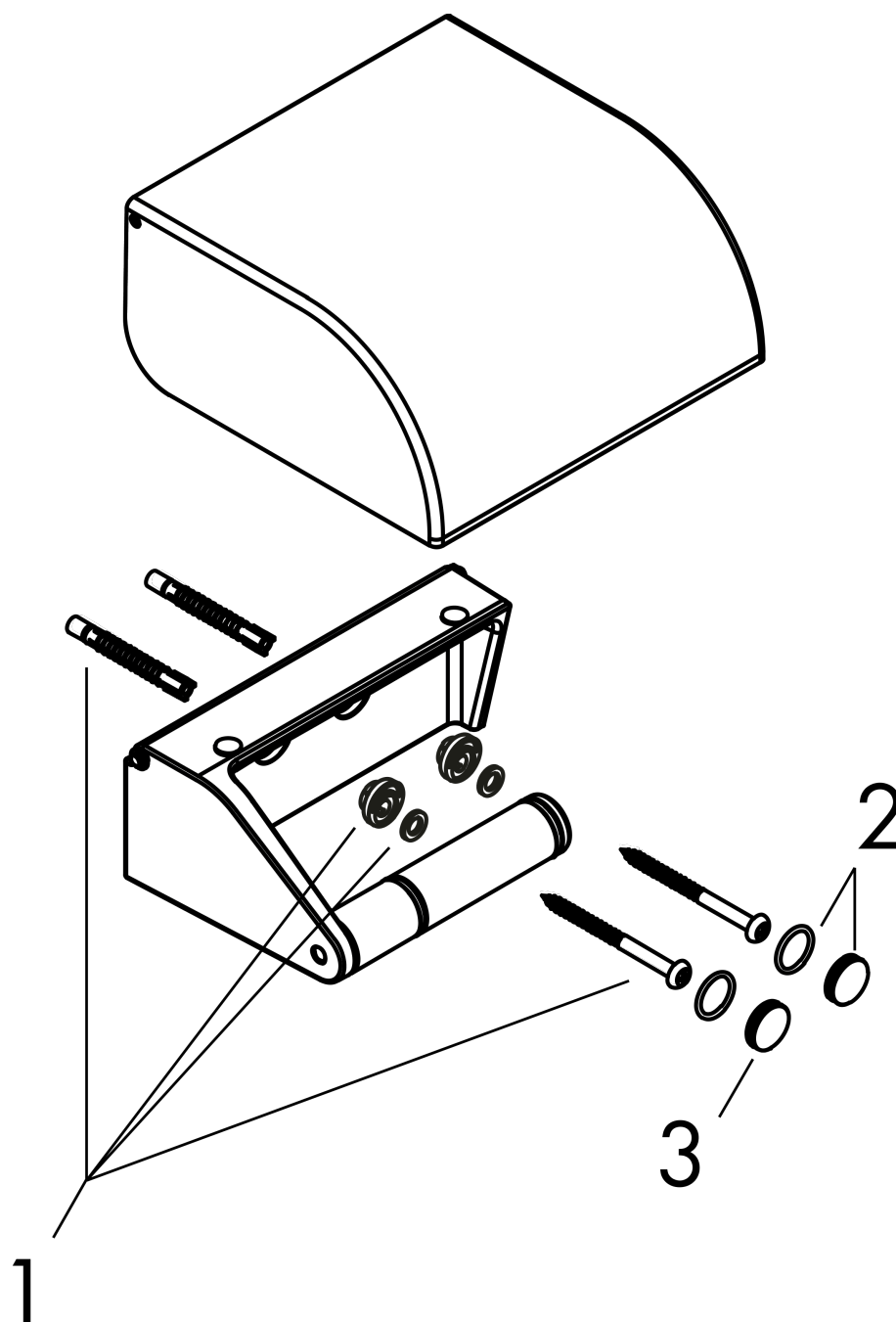
**AXOR Universal Circular
Roll Holder with Cover**

Finishes : Part no. : 42858820



Exploded drawing

Year of production: >12/21



**AXOR Universal Circular
Roll Holder with Cover**

Finishes : Part no. : **42858820**



Spare parts list

Year of production: >12/21

Pos.		Part no.	Price	PU
1	mounting set	92841000	-	1
2	O-ring 13x1,5	98475000	-	1
3	set of covers	92437820	-	1