

FEATURED MODEL

441593 1-3/4 Bowl, 9-1/2" bowl depths, WHITE

ADDITIONAL MODELS

441592 1-3/4 Bowl, 9-1/2" bowl depths, METALLIC GRAY

441597 1-3/4 Bowl, 9-1/2" bowl depths, CAFE BROWN

441590 1-3/4 Bowl, 9-1/2" bowl depths, ANTHRACITE

441594 1-3/4 Bowl, 9-1/2" bowl depths, BISCUIT

441595 1-3/4 Bowl, 9-1/2" bowl depths, BISCOTTI

441596 1-3/4 Bowl, 9-1/2" bowl depths, TRUFFLE

441591 1-3/4 Bowl, 9-1/2" bowl depths, CINDER

FEATURES

- Required outside cabinet: 36"
- 80% solid granite
- Heat resistant up to 536°F
- Unsurpassed cleanability backed by industry leading 7 patents!
- Resistant to scratches, stains and all household acids and alkali solutions
- Template provided with approximate 1/8" reveal
- Under mount clips included
- Limited lifetime warranty

OPTIONAL ACCESSORIES

Sink Grids: 220998 (left), 231342 (right)

CODE/STANDARDS COMPLIANCE

ANSI Z124.6-97

IAPMO/UPC listed

WARRANTY

BLANCO'S SILGRANIT II Series sinks feature a LIMITED LIFETIME WARRANTY to be free of all manufacturing defects under normal use. See our complete warranty for details.

While BLANCO endeavors to provide accurate information, all dimensions are nominal, cannot be guaranteed, and are subject to change or cancellation. BLANCO assumes no responsibility for use of superseded or voided specifications.

JOB INFORMATION

Job Name: _____

Contact: _____

Date Specified: _____

Specifier: _____

Contractor: _____

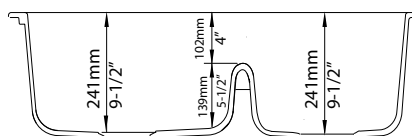
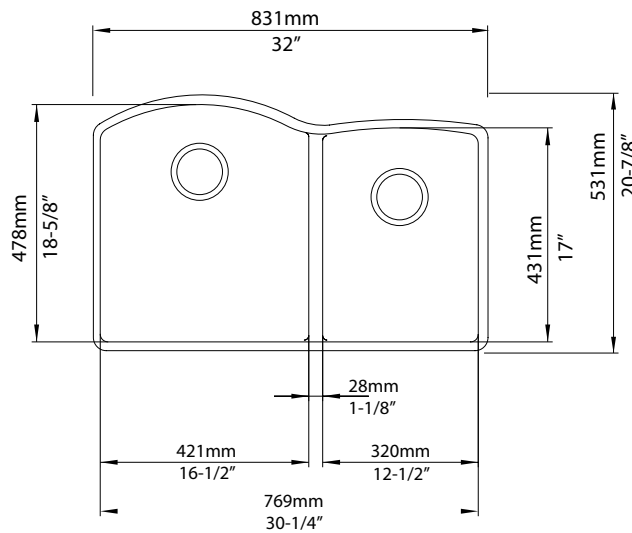


Model 441593 shown

NOMINAL DIMENSIONS

OVERALL	CUTOUT SIZE	BOWL DEPTH LEFT	BOWL DEPTH RIGHT	DRAIN DIAMETER
32" x 20-7/8"	Template provided with approximate 1/8" reveal	9-1/2"	9-1/2"	3-1/2"

DXF cutout templates available on our website.



BLANCO AMERICA

800.451.5782

www.blancoamerica.com

© 2014 BLANCO AMERICA

1/14

SPEC-003