

**FEATURED MODEL**

441611 VALEA SUPER SINGLE Under Mount CINDER

**ADDITIONAL MODELS**

- 441612 VALEA SUPER SINGLE Under Mount BISCOTTI
- 441613 VALEA SUPER SINGLE Under Mount CAFE BROWN
- 441610 VALEA SUPER SINGLE Under Mount ANTHRACITE
- 441772 VALEA SUPER SINGLE Under Mount TRUFFLE
- 441773 VALEA SUPER SINGLE Under Mount WHITE
- 441774 VALEA SUPER SINGLE Under Mount BISCUIT
- 441775 VALEA SUPER SINGLE Under Mount METALLIC GRAY

**FEATURES**

- Extra capacity with elegant soft lines
- Required Cabinet for undermount installation: 36"
- 80% solid granite
- Heat resistant up to 536°F
- Unsurpassed cleanability backed by industry leading 7 patents!
- Resistant to scratches, stains and all household acids and alkali solutions
- Template provided
- Under mount clips included
- Limited lifetime warranty

**OPTIONAL ACCESSORIES**

- Stainless Steel Sink Grid Large - 230966
- Wood Cutting Board - 230972

**CODE/STANDARDS COMPLIANCE**

- ANSI Z124.6-97
- IAPMO/UPC listed

**WARRANTY**

BLANCO'S SILGRANIT II Series sinks feature a LIMITED LIFETIME WARRANTY to be free of all manufacturing defects under normal use. See our complete warranty for details.

While BLANCO endeavors to provide accurate information, all dimensions are nominal, cannot be guaranteed, and are subject to change or cancellation. BLANCO assumes no responsibility for use of superseded or voided specifications.

**JOB INFORMATION**

Job Name: \_\_\_\_\_

Contact: \_\_\_\_\_

Date Specified: \_\_\_\_\_

Specifier: \_\_\_\_\_

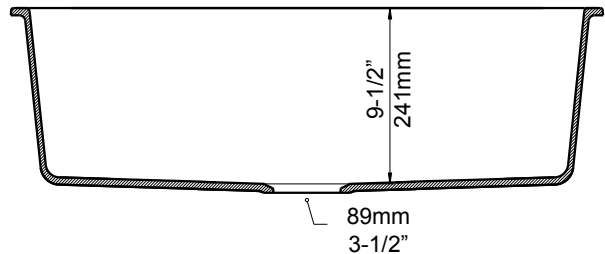
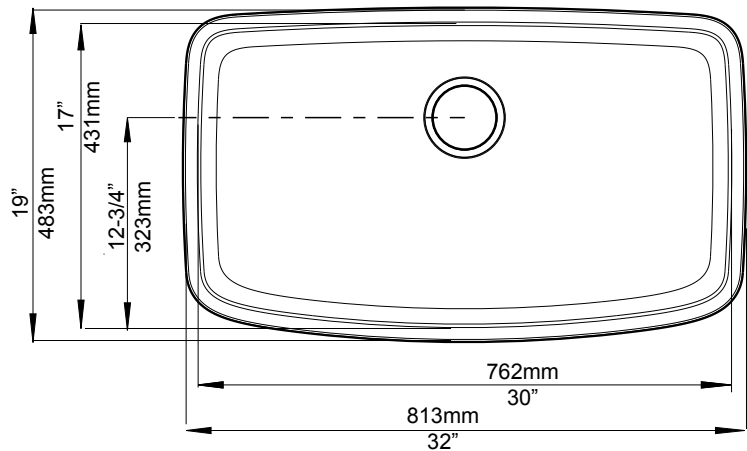
Contractor: \_\_\_\_\_



Model 441613 shown

NOMINAL DIMENSIONS			
OVERALL	CUTOUT SIZE	BOWL DEPTH	DRAIN DIAMETER
32" X 19"	Refer to supplied template.	9-1/2"	3-1/2"

DXF cutout templates (Undermount and Drop-In versions) available on our web site



**BLANCO AMERICA**

800.451.5782

www.blancoamerica.com

© 2013 BLANCO AMERICA

12/13

SPEC-003