

MODELS

- 442563 Equal Double, 9-1/2" bowl depths, WHITE
- 442560 Equal Double, 9-1/2" bowl depths, ANTHRACITE
- 442561 Equal Double, 9-1/2" bowl depths, CAFE BROWN
- 442562 Equal Double, 9-1/2" bowl depths, METALLIC GRAY

FEATURES

- Required outside cabinet Drop In installation: 33"
- Required outside cabinet Undermount: 36"
- 80% solid granite
- Heat resistant up to 536°F
- 5" divider height
- Dual Mount
- Unsurpassed cleanability backed by industry leading 7 patents!
- Resistant to scratches, stains and all household acids and alkali solutions
- Template provided with approximate 1/8" reveal
- Drop in clips included
- Limited lifetime warranty

OPTIONAL ACCESSORIES

Sink Grids: 235916

CODE/STANDARDS COMPLIANCE

ANSI Z124.6-97
IAPMO/UPC listed

WARRANTY

BLANCO'S SILGRANIT Series sinks feature a LIMITED LIFETIME WARRANTY to be free of all manufacturing defects under normal use. See our complete warranty for details.

While BLANCO endeavors to provide accurate information, all dimensions are nominal, cannot be guaranteed, and are subject to change or cancellation. BLANCO assumes no responsibility for use of superseded or voided specifications.

JOB INFORMATION

Job Name: _____

Contact: _____

Date Specified: _____

Specifier: _____

Contractor: _____

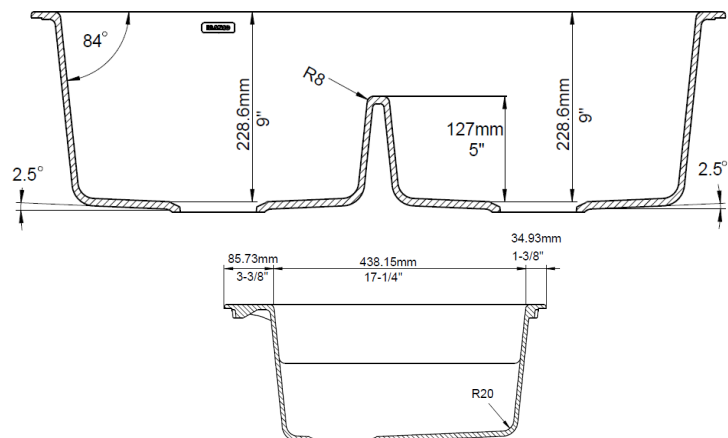
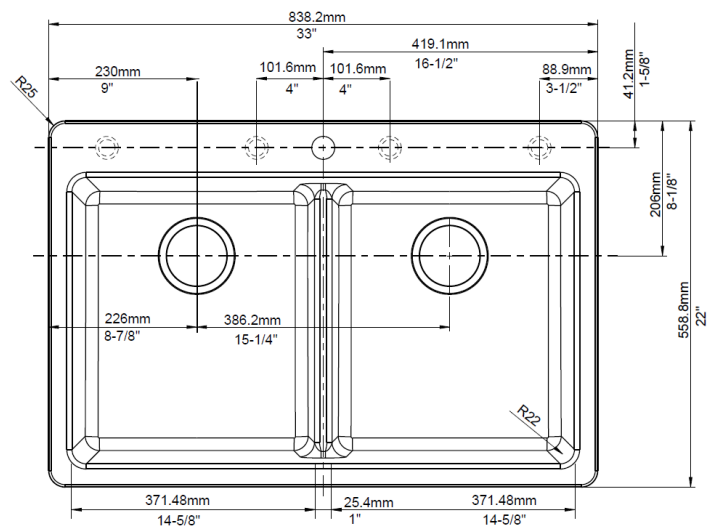


NOMINAL DIMENSIONS

Model 442560 shown

OVERALL	CUT OUT SIZE	SINK DEPTH	DRAIN
33" x 22"	Template provided with approximate 1/8" reveal	9"	3-1/2"

DXF cutout templates available on our website.



BLANCO AMERICA

800.451.5782

www.blancoamerica.com

© 2018 BLANCO AMERICA

01/18

SPEC-001