

4

3

2

1

BILL OF MATERIAL (CURRENT LEVEL)

ITEM	PT/ASSY	DESCRIPTION	TYPE	QTY.
1	4544-FA	VANITY MIRROR FRAME	ASSEMBLY	1
2	4530VMIX	MIRROR GLASS NO MAGNIFICATION	PART	1
3	4530VM3X	MIRROR GLASS 3X MAGNIFICATION	PART	1

NOTE:

 USE PALMER MIRROR MASTIC

D

D

C

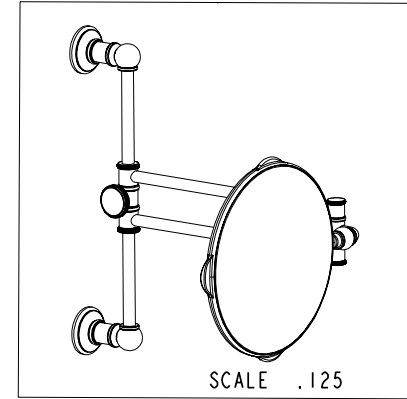
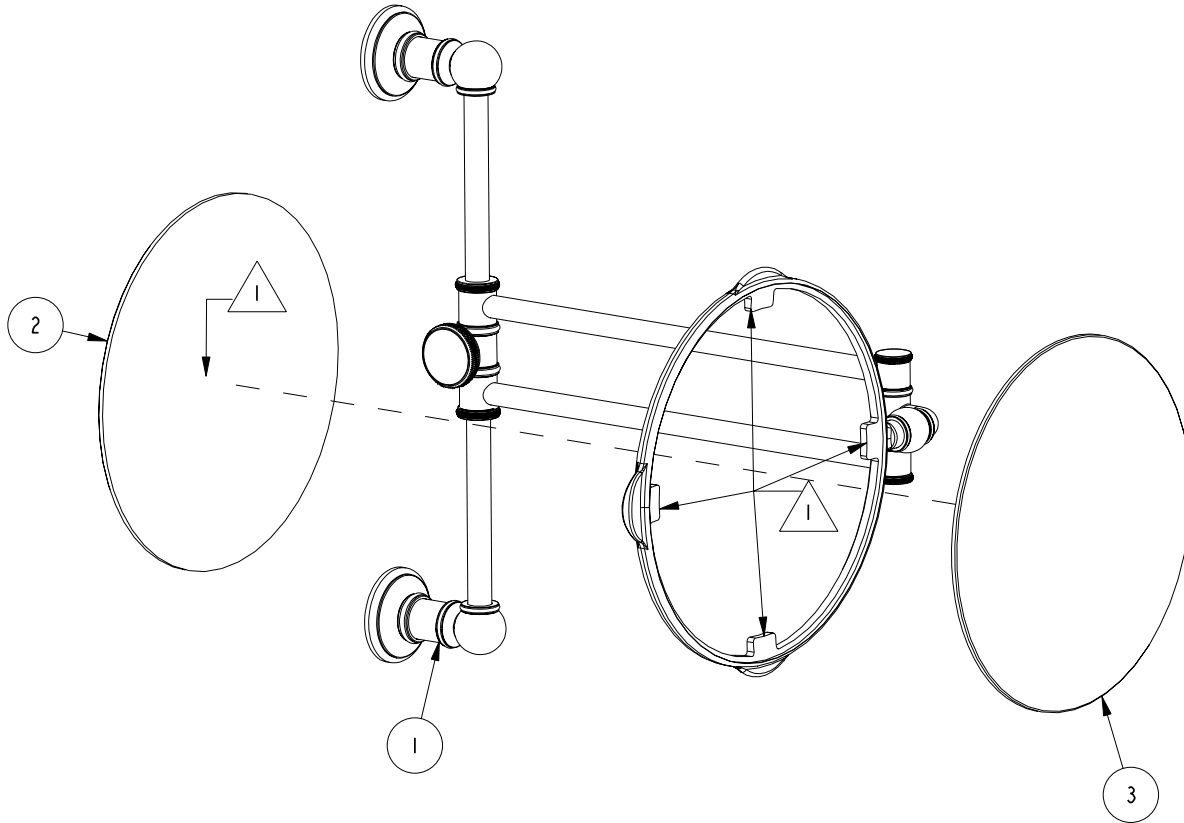
C

B

B

A

A



COPYRIGHT 2005 GINGER. THESE DRAWINGS AND THE DESIGNS DEPICTED HEREIN ARE THE PROPRIETARY PROPERTY OF GINGER. ANY USE OR REPRODUCTION IS SUBJECT TO THE EXPRESS APPROVAL OF GINGER. UNAUTHORIZED USE IS STRICTLY PROHIBITED. ALL RIGHTS RESERVED.

GINGER

460-N GREENWAY INDUSTRIAL DRIVE
 FORT WILM, SC 29708
 (803) 547-5786

VANITY MIRROR

ASSY. NO. 4544

SCALE .250

REF. -

SHEET 1 OF 1

C

ECN-1071

08/15/08

REV

REV DESC

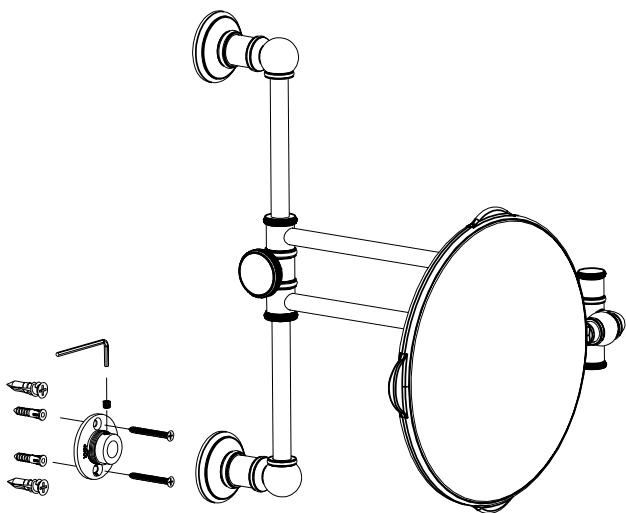
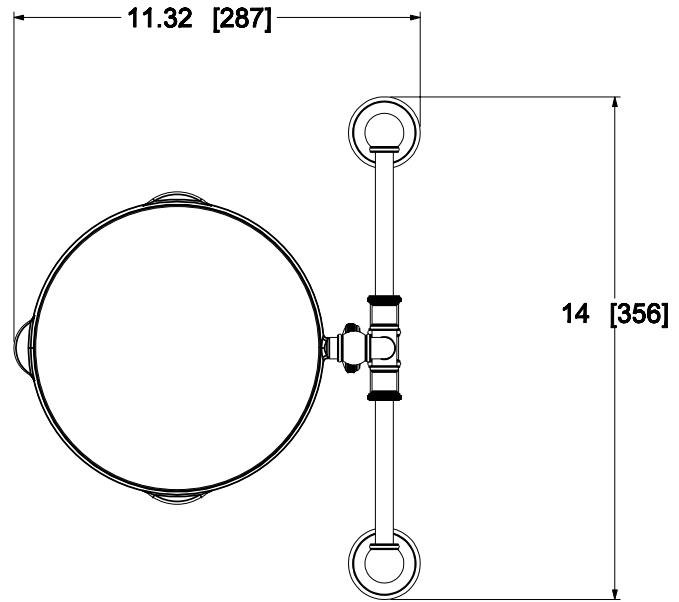
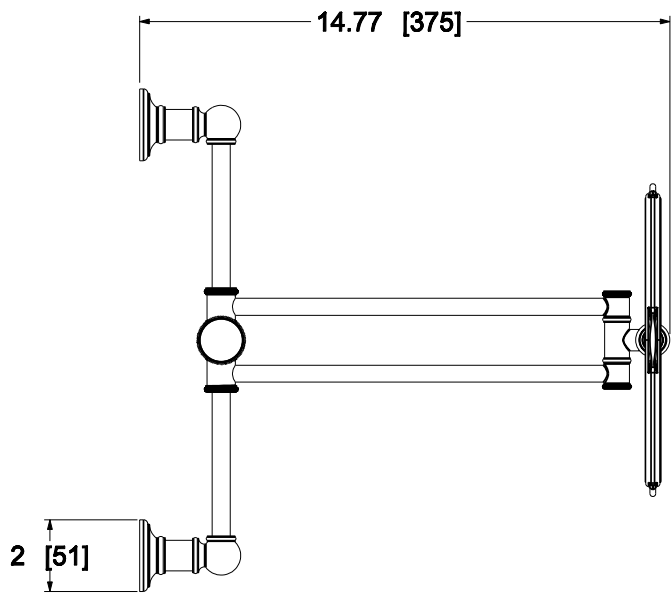
DATE

4

3

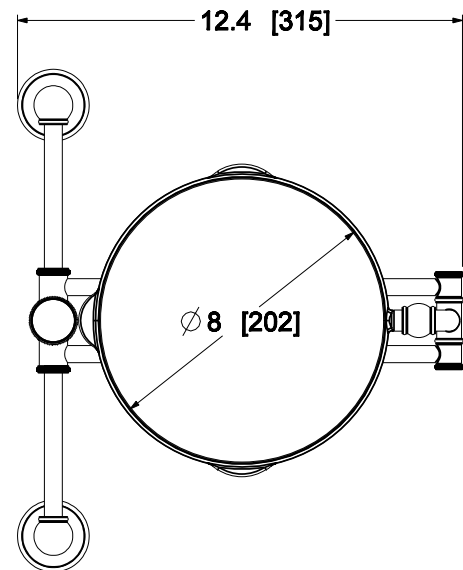
2

1



MIRROR SPECIFICATIONS:

**NO MAGANFICATION - SIDE 1
3X MAGANFICATION - SIDE 2**



FINISHES: AGD- ANTIQUE GOLD, AS- ANTIQUE SILVER, 10B- OIL RUBBED BRONZE, 14- POLISHED NICKEL, 16- SATIN NICKEL, 26 POLISHED CHROME		UNIT: INCH [MM]
MATERIAL: VARIOUS BRASSES, STAINLESS STEEL MOUNTING HARDWARE		WEIGHT: 3LBS. 14 OZ. [1.7KG.]
PART NO.	4544	VANITY MIRROR
DATE: 5.07.07	REV. DATE:	SCALE 3:16
		COLUMNAR

GINGER
DWG. NO.
PD-4544

