

**AXOR One
Handshower Holder**

Finishes : Part no. : **45723821**



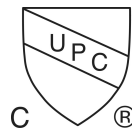
Features

- For Must be used with hose with cylindrical nut
- Metal
- 1/2" NPT

Item details

List Price

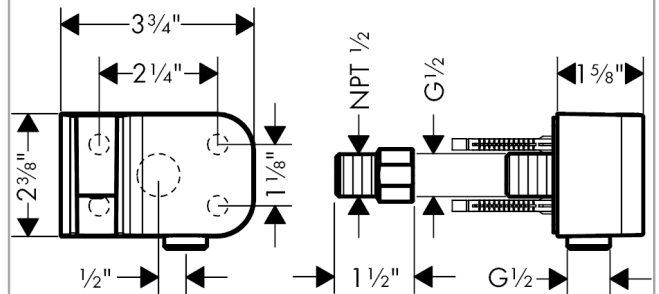
Compliance



Product image



Scale drawing



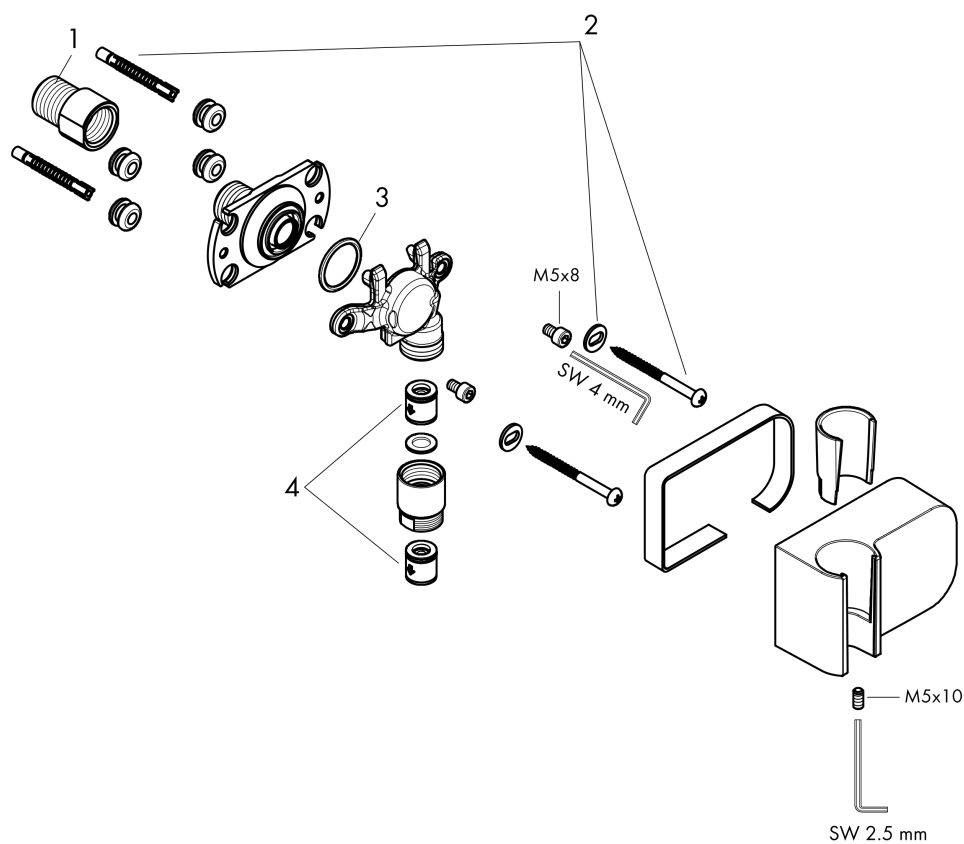
AXOR One
Handshower Holder

Finishes : Part no. : **45723821**



Exploded drawing

Year of production: >08/21



AXOR One

Handshower Holder

Finishes : Part no. : **45723821**



Spare parts list

Year of production: >08/21

Pos.		Part no.	Price	PU
1	mounting set	96179000	-	1
2	O-Ring 22x2	98185000	-	1
3	set of non return valves DW 15	94074000	-	1
4	adapter for body shower	88746000	-	1