

AXOR One
Diverter Trim Trio
Finishes : Part no. : **45772001**



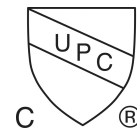
Features

- Metal escutcheon, Handle, Sleeve

Item details

List Price

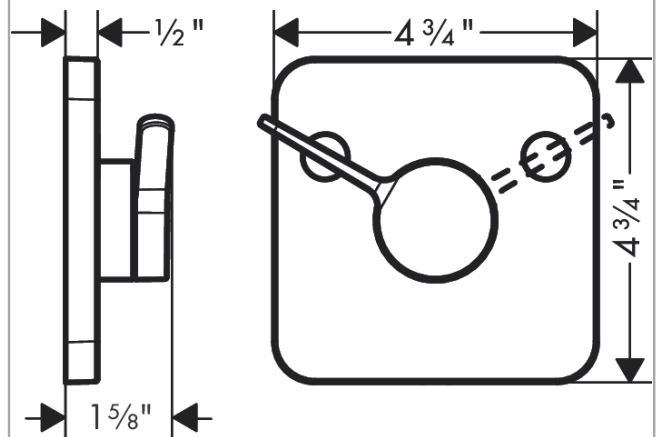
Compliance



Product image



Scale drawing



AXOR One

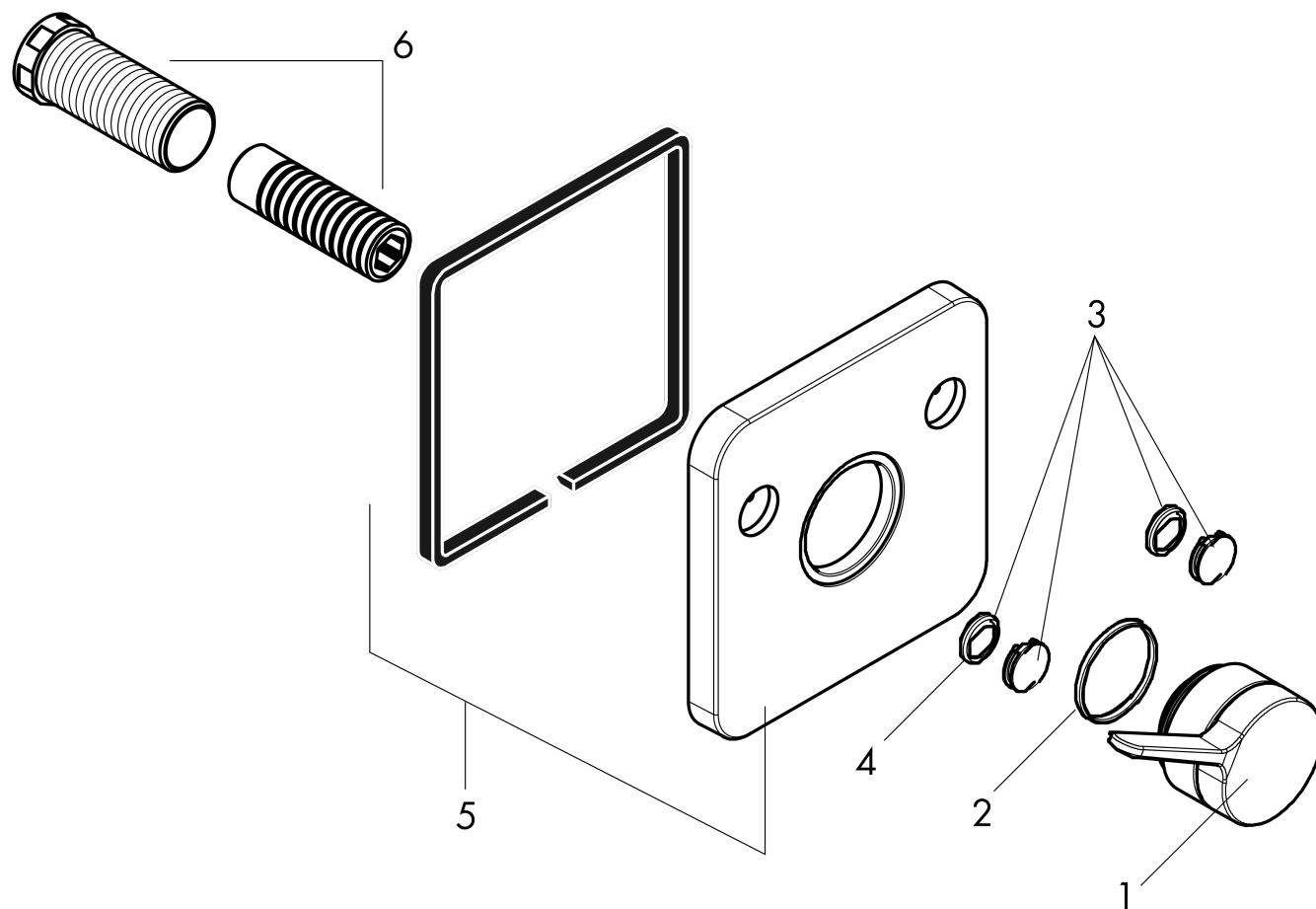
Diverter Trim Trio

Finishes : Part no. : 45772001



Exploded drawing

Year of production: >08/21



AXOR One

Diverter Trim Trio

Finishes : Part no. : **45772001**



Spare parts list

Year of production: >08/21

Pos.		Part no.	Price	PU
1	handle	94387000	-	1
2	O-ring 33x2	98154000	-	1
3	set of symbols	95238000	-	1
4	O-ring 13x2	98128000	-	1
5	escutcheon	94386000	-	1
6	fixing set	96393000	-	1