

## AXOR One

### Diverter Trim Trio

Finishes : Part no. : **45772671**



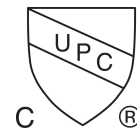
#### Features

- Metal escutcheon, Handle, Sleeve

#### Item details

List Price

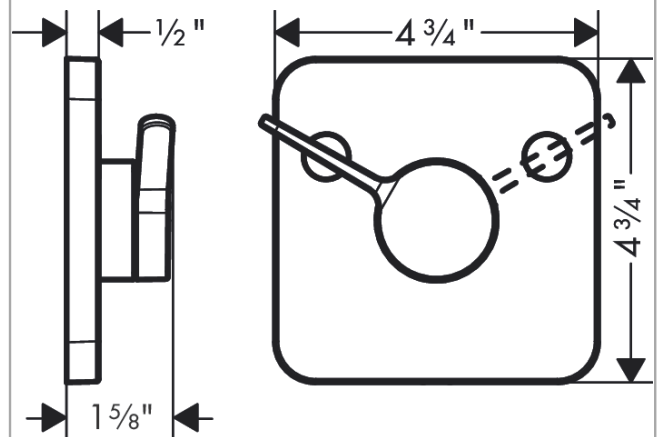
#### Compliance



#### Product image



#### Scale drawing



**AXOR One**

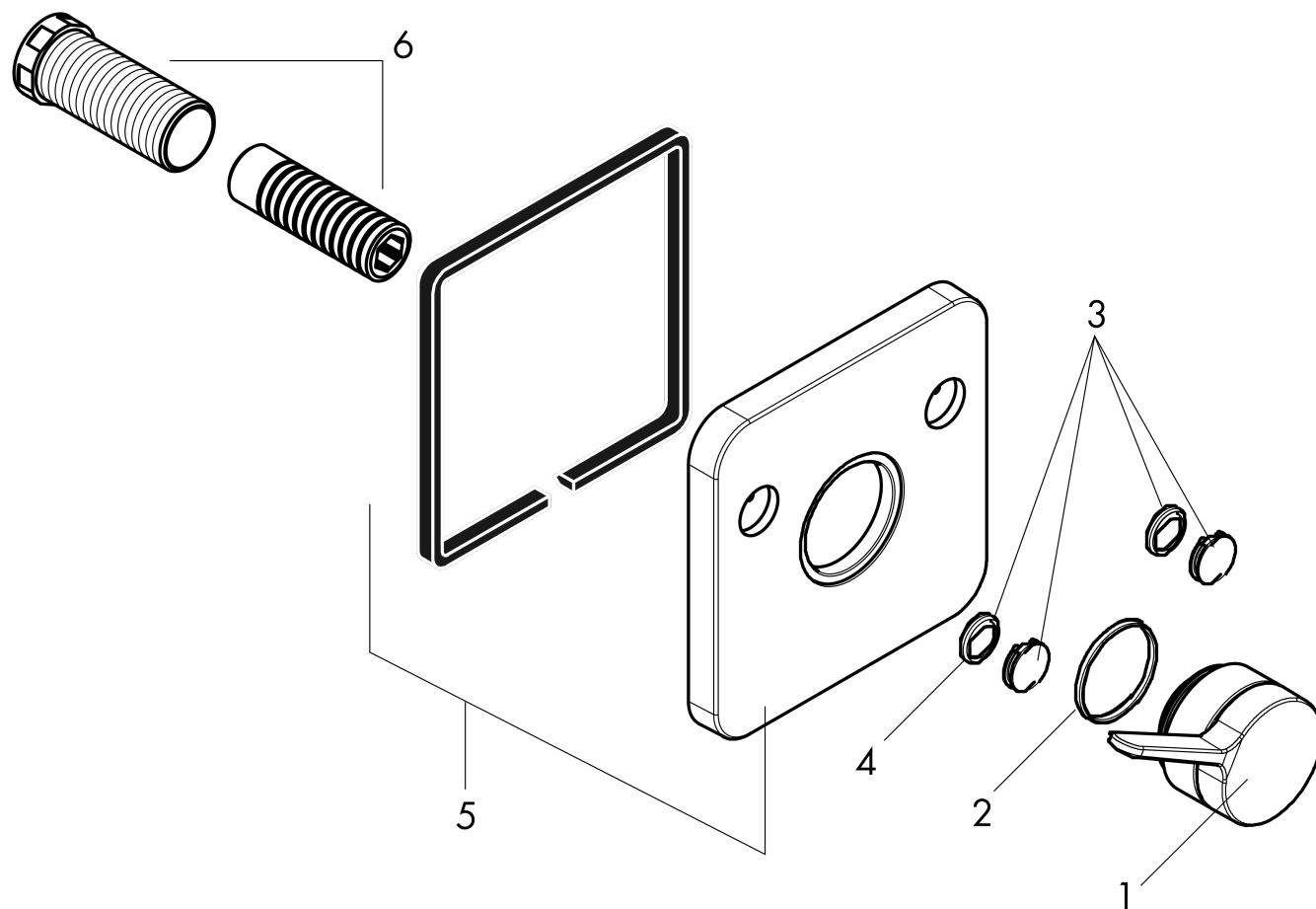
**Diverter Trim Trio**

Finishes : Part no. : **45772671**



## Exploded drawing

Year of production: >08/21



**AXOR One**

**Diverter Trim Trio**

Finishes : Part no. : **45772671**



**Spare parts list**

Year of production: >08/21

Pos.		Part no.	Price	PU
1	handle	94387670	-	1
2	O-ring 33x2	98154000	-	1
3	set of symbols	95238670	-	1
4	O-ring 13x2	98128000	-	1
5	escutcheon	94386670	-	1
6	fixing set	96393000	-	1