

AXOR MyEdition
Widespread Faucet 70 without Plate, 1.2 GPM
 Finishes : Part no. : **47052001**



Features

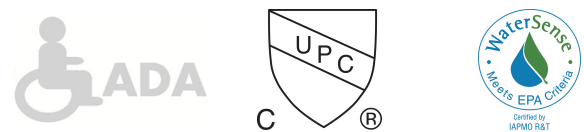
- Spray modes: PowderRain spray
- Flow: 1.2 GPM (4.5 L/Min)
- 90° ceramic valves
- Does not include: Plate, Pop-up assembly

Item details

Technology



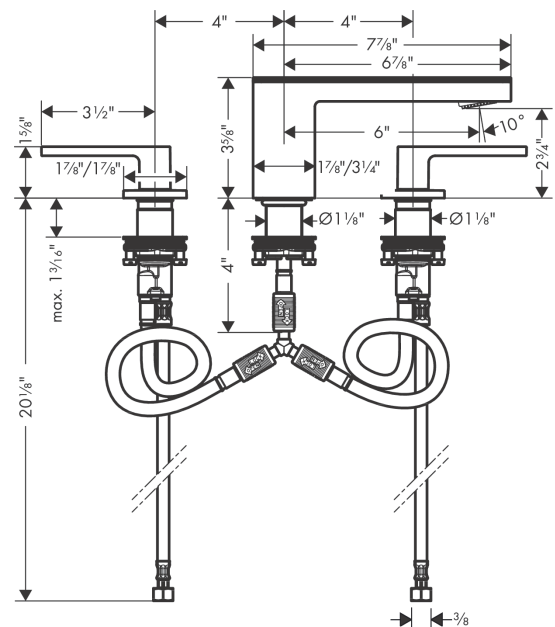
Compliance



Product image



Scale drawing

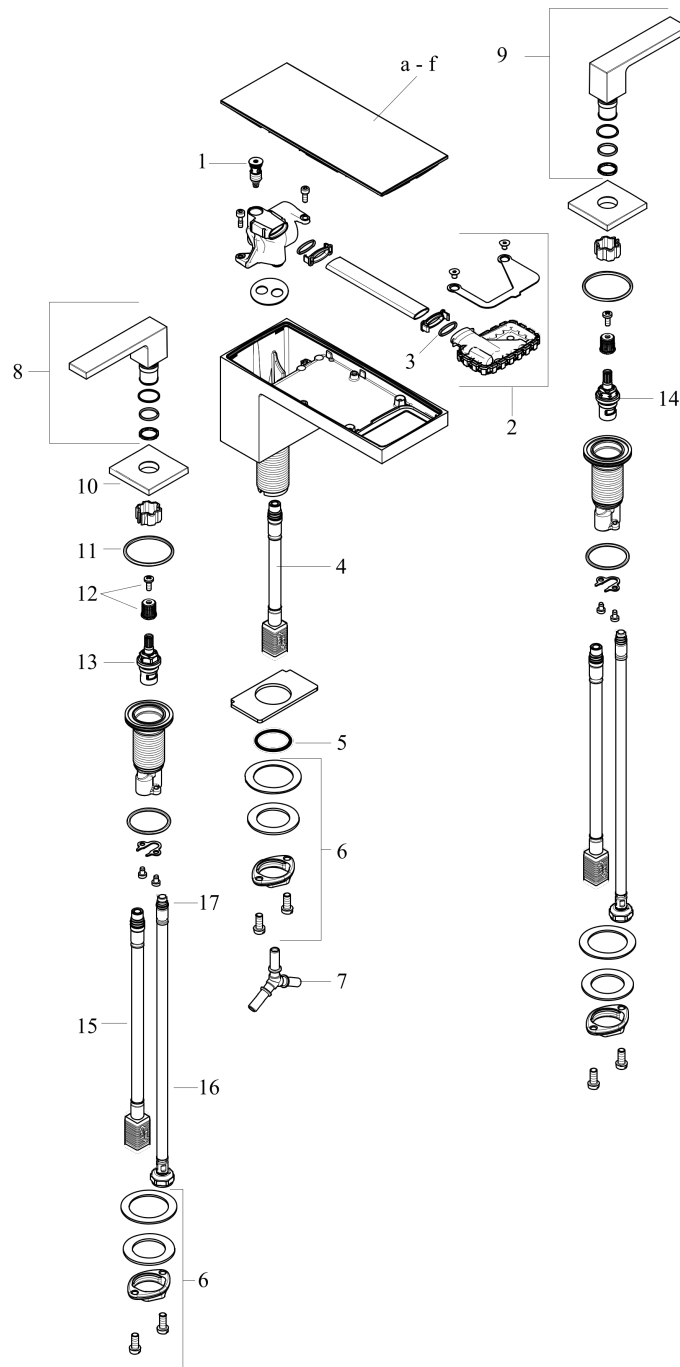


AXOR MyEdition
Widespread Faucet 70 without Plate, 1.2 GPM
 Finishes : Part no. : 47052001



Exploded drawing

Year of production: >02/19



AXOR MyEdition
Widespread Faucet 70 without Plate, 1.2 GPM
 Finishes : Part no. : **47052001**



Spare parts list

Year of production: >02/19

Pos.		Part no.	Price	PU
1	O-ring 8x1,75	97827000	-	1
2	spray former	93385000	-	1
3	O-ring 13x1,5	98475000	-	1
4	null	92913000	-	1
5	O-ring 26x4	92191000	-	1
6	null	92909000	-	1
7	hose connection angel	92905000	-	1
8	handle for hot water	93379000	-	1
9	handle for cold water	93380000	-	1
10	escutcheon for handle	93381000	-	1
11	null	92907000	-	1
12	handle fixing set	98932000	-	1
13	shut off unit right closing	98817001	-	1
14	shut off unit left closing	95366001	-	1
15	null	92914000	-	1
16	connection hose 18½" M8x0,75 3/8"	96321001	-	1
17	O-ring 7x1,5	98422000	-	1
a	cover	47906000	-	1
b	cover	47909000	-	1
c	cover	47913000	-	1
d	cover	47916000	-	1
e	cover	47903000	-	1
f	cover	47900000	-	1