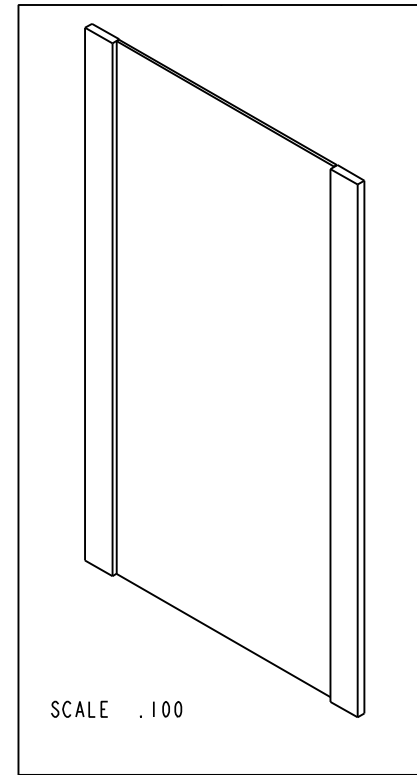
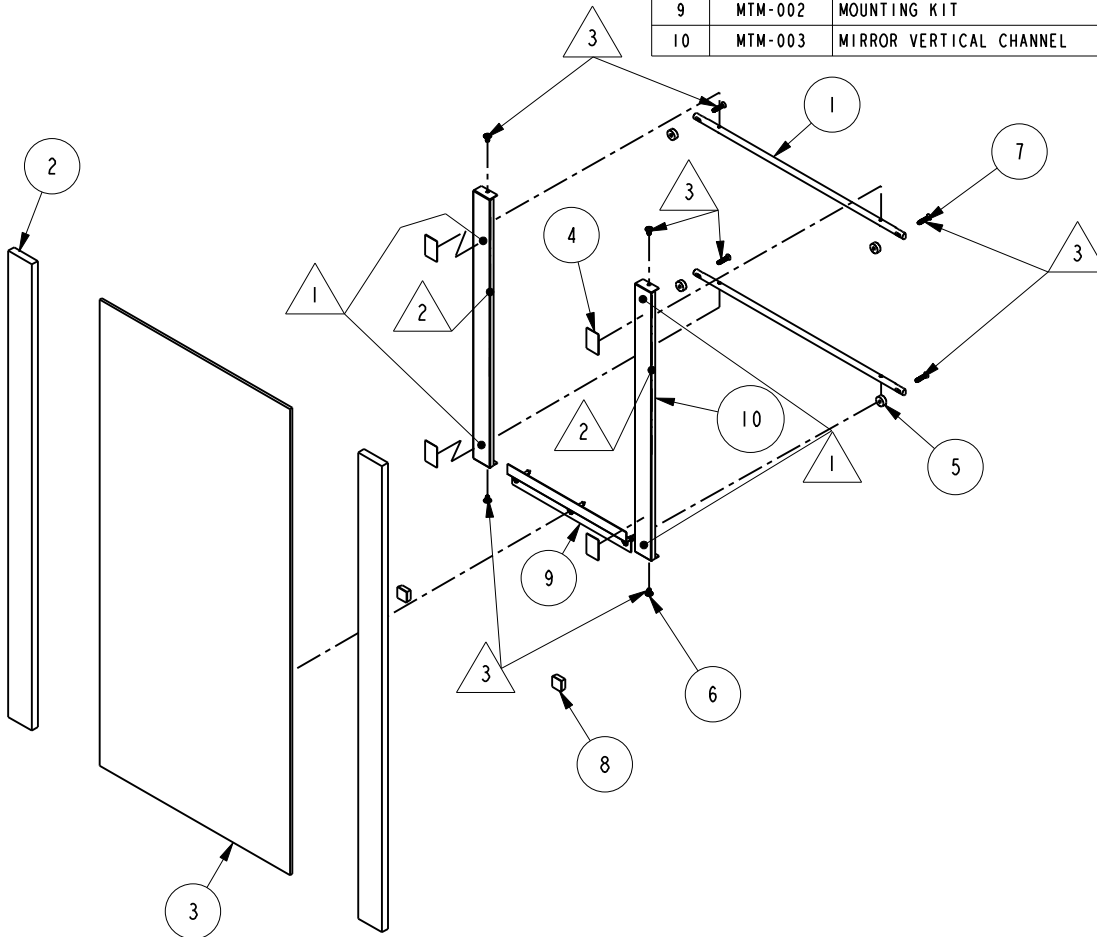


BILL OF MATERIAL (CURRENT LEVEL)				
ITEM	PT/ASSY	DESCRIPTION	TYPE	QTY.
1	40404	TIEROD	PART	2
2	40405	MIRROR SIDE CHANEL	PART	2
3	40406	MIRROR GLASS	PART	1
4	91462_INSTI	VHB TAPE 1" X 1 1/2" LONG	PART	4
5	91575	NYLON SPACER 5/8" OD, 1/4" LENGHT (MMC# 94639A673)	PART	4
6	92139	SCRW, 10-32 X 5/16 PHL PAN HD W/RND WASHER SELF CUTTING TYP F ZnPLATED (MMC# N/A	PART	4
7	92531	SCRW, 10-32 X 7/8 PHL FLT HD Zn PLATED	PART	4
8	BM9	CLEAR ADHESIVE BACKED BUMPER	PART	2
9	MTM-002	MOUNTING KIT	ASSEMBLY	1
10	MTM-003	MIRROR VERTICAL CHANEL	PART	2

- △ 1 LOCATION FOR VHB TAPE
- △ 2 APPLY PLAMER MIRROR MASTIC
- △ 3 APPLY LOCTITE 680.



COPYRIGHT 2005 GINGER. THESE DRAWINGS AND THE DESIGNS DEPICTED HEREIN ARE THE PROPRIETARY PROPERTY OF GINGER. ANY USE OR REPRODUCTION IS SUBJECT TO THE EXPRESS APPROVAL OF GINGER. UNAUTHORIZED USE IS STRICTLY PROHIBITED. ALL RIGHTS RESERVED.

GINGER

2001 E. CARNEGIE AVE.
SANTA ANNA CA 92705
(949) 417-5207

CINU MIRROR

ASSY. NO. 4741

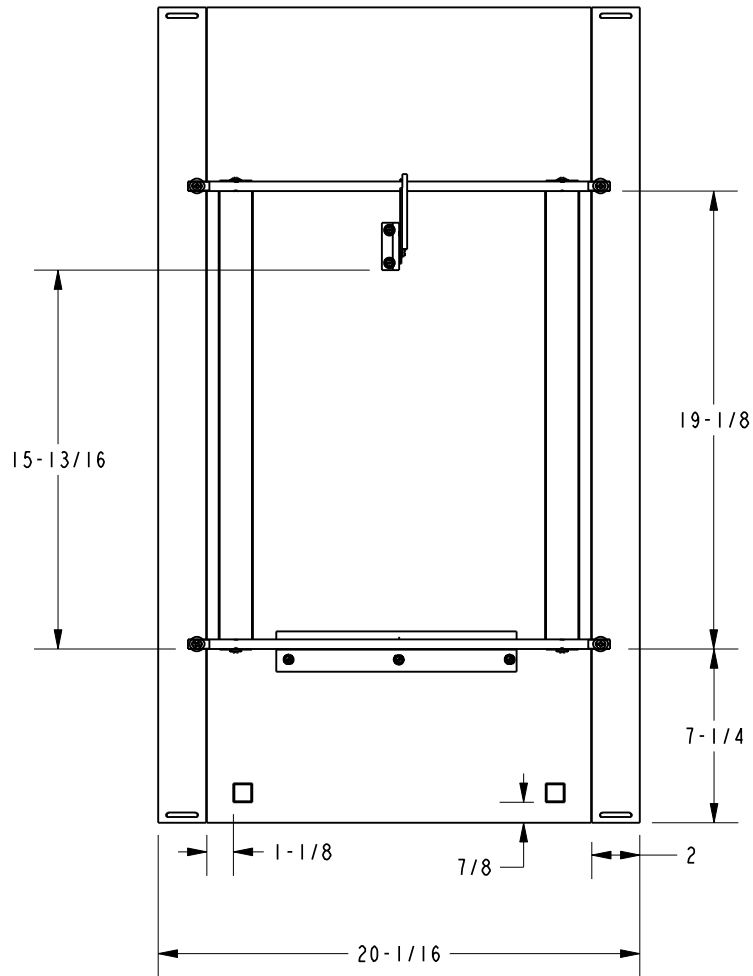
SCALE .088

REF. -

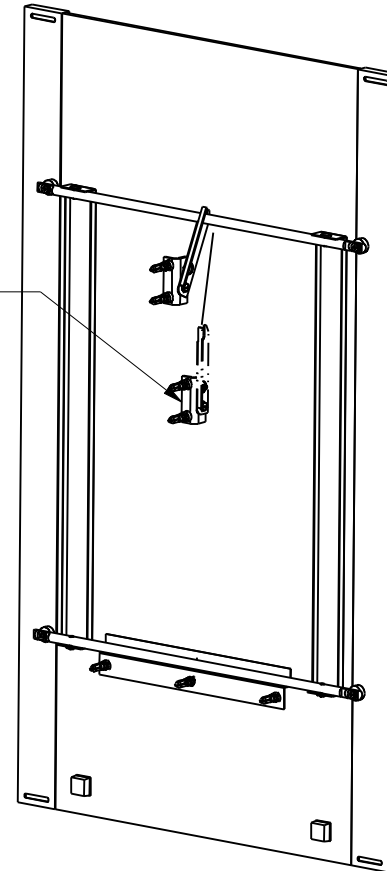
SHEET 1 OF 3

E	EN-2597	09/06/13
D	EN-2148	04/30/12
C	EN-1949	11/03/11
B	EN-1937	10/19/11
A	EN-1824	07/11/11
-	EN-1294	11/09/10
REV	REV DESC	DATE

SPECIFICATION DWG



MTM-009 SOLD SEPARATELY

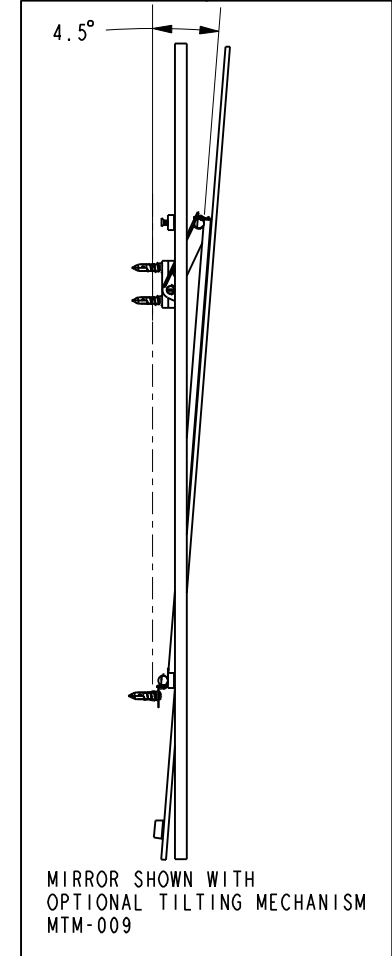
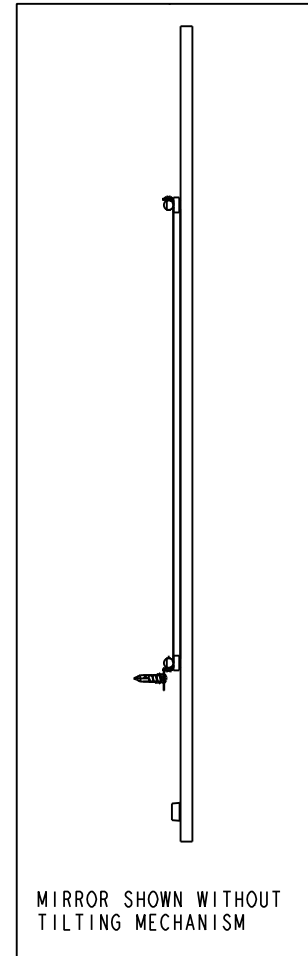
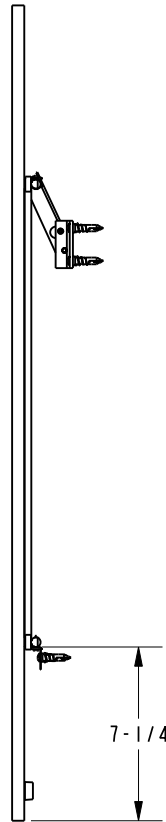
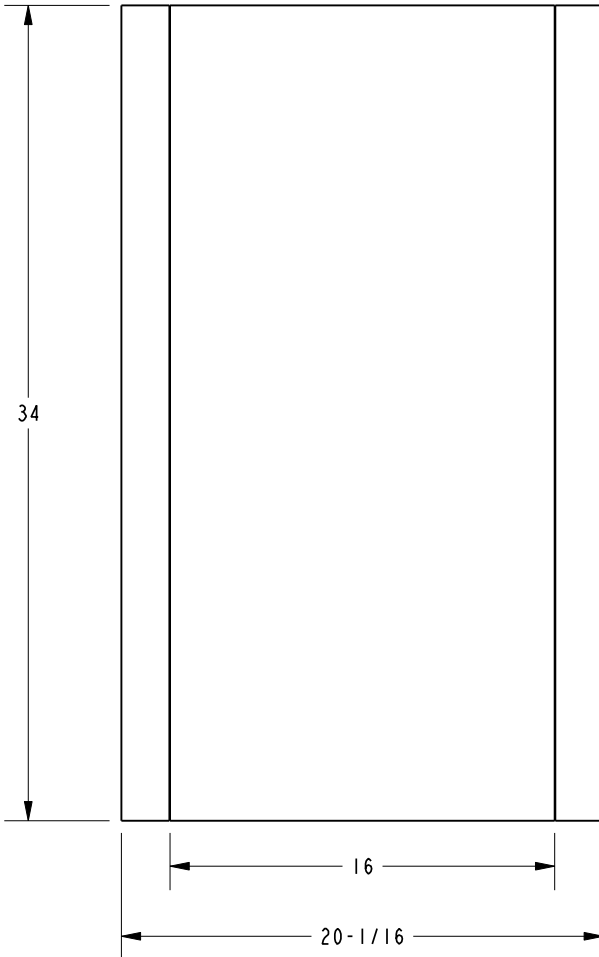
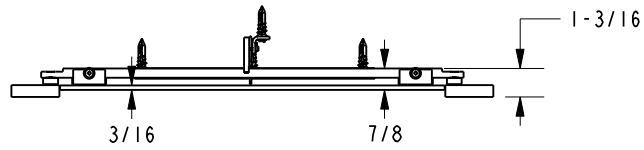


DIMENSIONS ARE IN INCHES AND AN APPROXIMATION OF A TYPICAL INSTALLATION

COPYRIGHT 2005 GINGER. THESE DRAWINGS AND THE DESIGNS DEPICTED HEREIN ARE THE PROPRIETARY PROPERTY OF GINGER. ANY USE OR REPRODUCTION IS SUBJECT TO THE EXPRESS APPROVAL OF GINGER. UNAUTHORIZED USE IS STRICTLY PROHIBITED. ALL RIGHTS RESERVED.

GINGER		2001 CARNEGIE AVE. SANTA ANA CA 92705 (949) 417-5207	
DWG NO.	4741	REV	E
SCALE	.125	REF.	-
SHEET 2		OF 3	

SPECIFICATION DWG



DIMENSIONS ARE IN INCHES AND AN APPROXIMATION OF A TYPICAL INSTALLATION

COPYRIGHT 2005 GINGER. THESE DRAWINGS AND THE DESIGNS DEPICTED HEREIN ARE THE PROPRIETARY PROPERTY OF GINGER. ANY USE OR REPRODUCTION IS SUBJECT TO THE EXPRESS APPROVAL OF GINGER. UNAUTHORIZED USE IS STRICTLY PROHIBITED. ALL RIGHTS RESERVED.

GINGER		2001 CARNEGIE AVE. SANTA ANA CA 92705 (949) 417-5207	
DWG NO.	4741	REV	E
SCALE	.125	REF.	-
		SHEET	3 OF 3