

4834APANB – EVERYDAY SHOWER PANS

48 x 34 x 6 inches



Shown with optional brass drain assembly.

FEATURES

- Shower pan
- Slip-resistant, textured bottom
- Extended tiling flange (3T)
- Enhanced front profile
- Patented design features:
 - corner drainage channels
 - step-design finishing guides
 - extended nailing flange
- Center drain
- Premium cast acrylic surface
- Lifetime limited warranty

OPTIONS

- Brass drain assembly and cover

AQUATIC ADVANTAGE

- National distribution
- 7 manufacturing facilities
- Private fleet
- Centralized customer service
- Field support

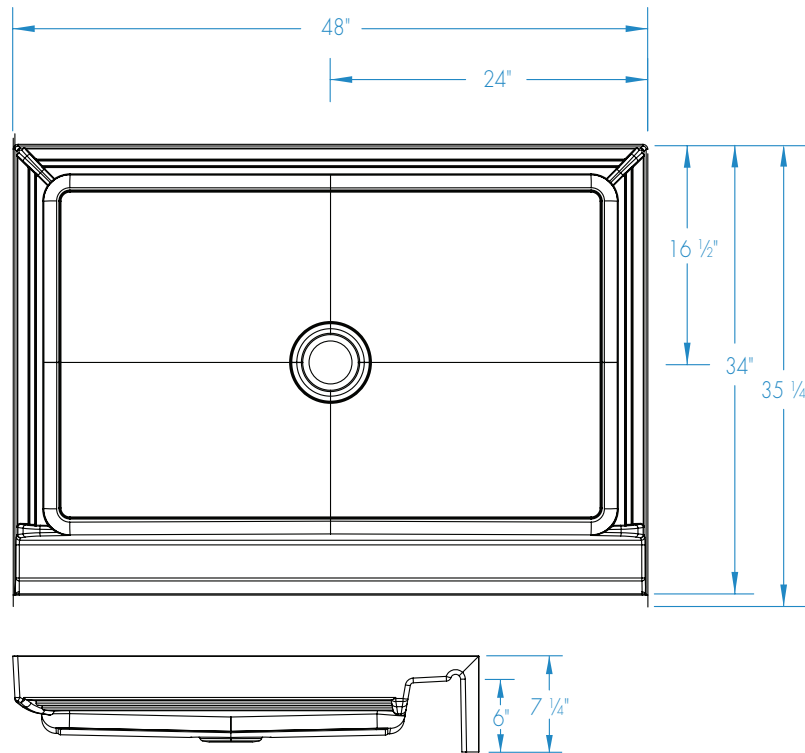
COLOR OPTIONS

Stock	Upgraded
White	Biscuit



4834APANB

48 x 34 x 6 inches



FEATURES Dimensional Tolerance $\pm 3/8"$. Dimensions needed for site preparation should be measured from the unit. Aquatic assumes no responsibility for preparatory work.

Model #	Material	Drain	Net Wt. lbs.	Pkg. Wt. lbs.
Shower Pan #4834APANB	Cast Acrylic	Center	29	34

DIMENSIONS

Specifications	inches
Width: Overall / Net	48
Depth: Overall / Net	35 1/4
Height: Overall / Net	7 1/4 / 6
Enclosure Opening	-
Skirt Height	6
Drain Rough-In (from Back Wall)	16 1/2
Drain Rough-In (from Side Wall)	24
Drain: Diameter / Clearance	3 1/4 / 3/4

FRAMING DIMENSIONS inches

Type	D Depth	W Width	H Height	A	B	C
Alcove	35 1/4	48 1/8	-	6	24	16 1/2

