

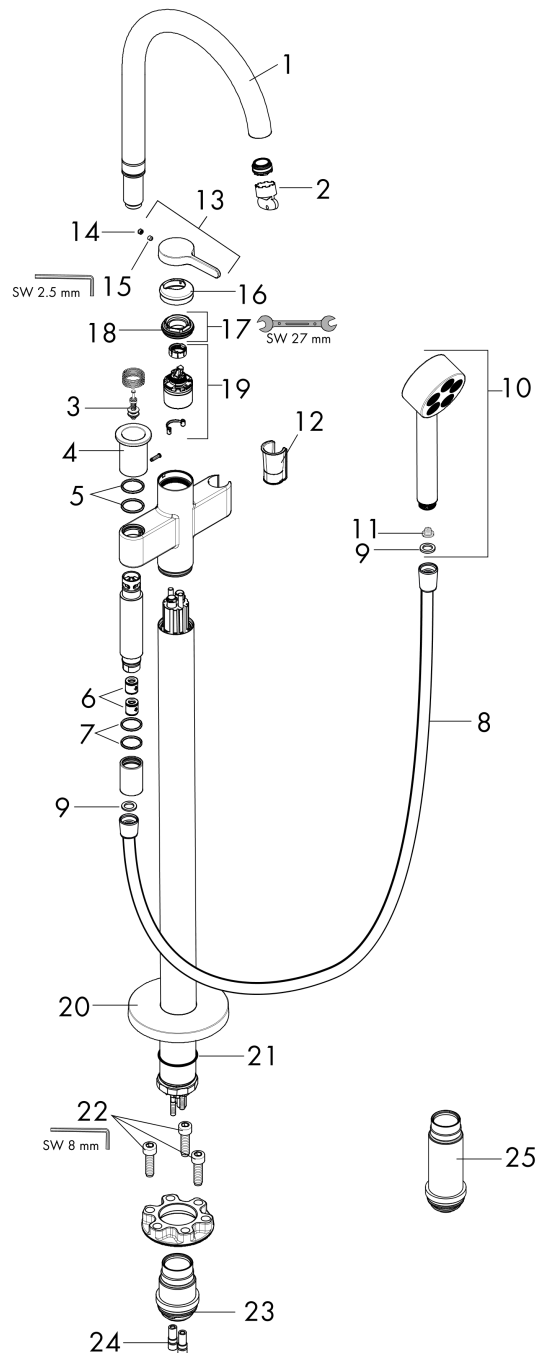


**AXOR One**  
**Freestanding Tub Filler Trim with 1.75 GPM Handshower**  
 Finishes : Part no. : **48441001**



## Exploded drawing

Year of production: >10/21



**AXOR One**  
**Freestanding Tub Filler Trim with 1.75 GPM Handshower**  
 Finishes : Part no. : **48441001**



## Spare parts list

Year of production: >10/21

Pos.		Part no.	Price	PU
1	spout cpl.	94017000	-	1
2	service tool	95661000	-	1
3	selector	96297000	-	1
4	diverter knob	94043000	-	1
5	O-ring 23x2	98398000	-	1
6	set of non return valves DW 15	94074000	-	1
7	O-Ring 22x2	98185000	-	1
8	shower hose Isiflex'B 1,25 m	28272000	-	1
9	seal	98058000	-	1
10	-	48652001	-	1
11	filter	92672000	-	1
12	guide	92858000	-	1
13	handle	94026000	-	1
14	screw cover	93735460	-	1
15	hollow set screw M5x5	98446000	-	1
16	escutcheon	94027000	-	1
17	nut	93995000	-	1
18	O-ring 35x1,5	92114000	-	1
19	cartridge, assy	93895000	-	1
20	escutcheon	94038000	-	1
21	O-ring 44x2,5	98162000	-	1
22	hexagon socket screw M10x35	97670000	-	1
23	O-ring 29x3	98371000	-	1
24	O-ring 7x2	98419000	-	1
25	extension set 60 mm	93882000	-	1