

AXOR Citterio C

Tub Spout

Finish: **Brushed Black Chrome** Part no. : **49410341**



Features

- Maximum flow rate: 5.8 GPM

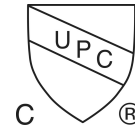
Item details

List Price \$ 528.00

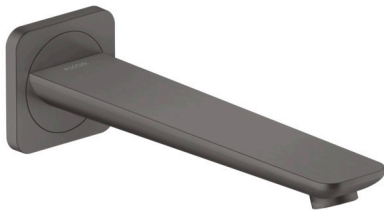
Technology



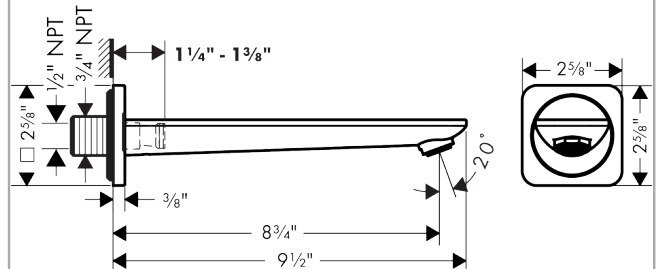
Compliance / Sustainability



Product image



Scale drawing



AXOR Citterio C

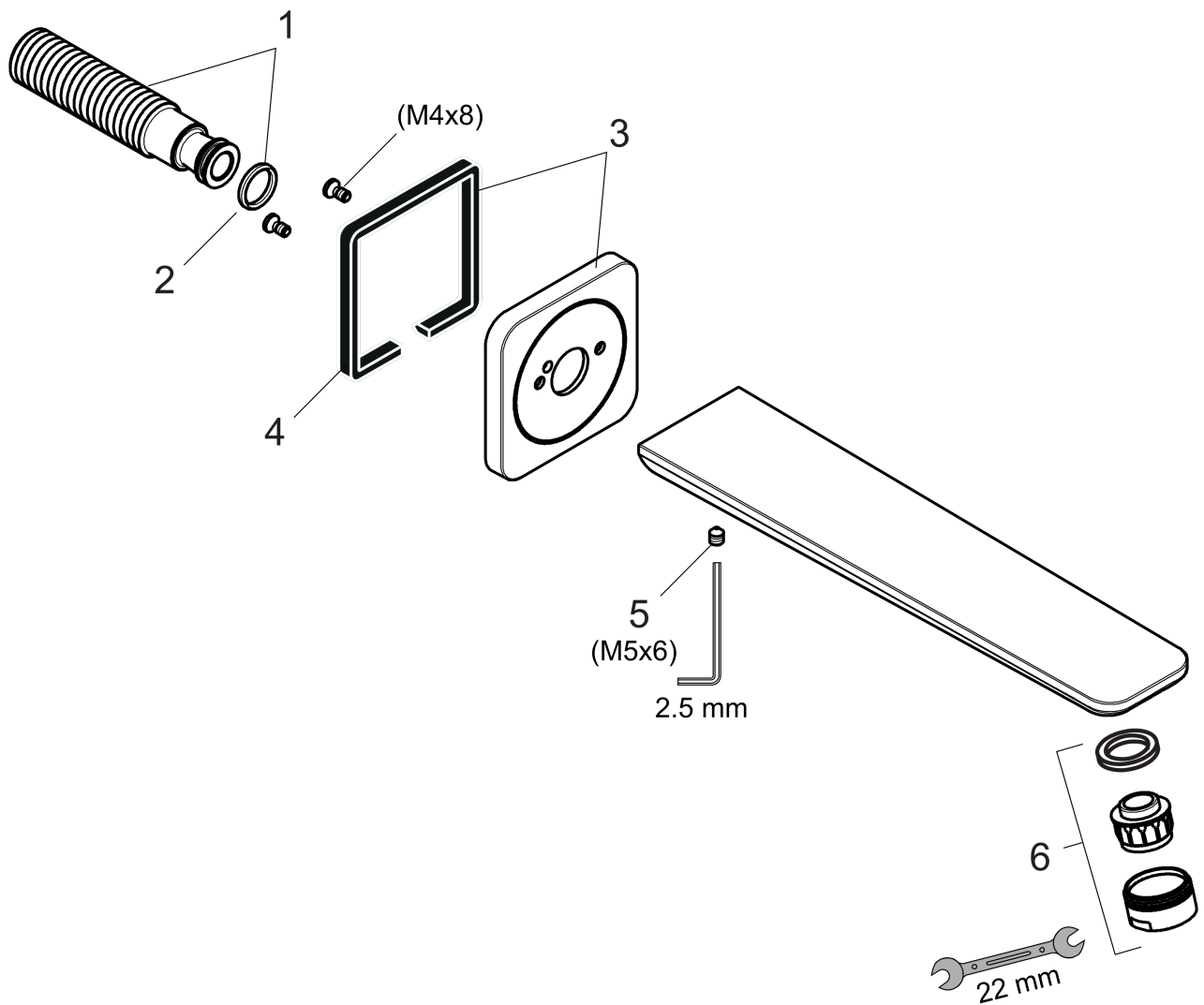
Tub Spout

Finish: **Brushed Black Chrome** Part no. : **49410341**



Exploded drawing

Year of production: >02/25



AXOR Citterio C

Tub Spout

Finish: **Brushed Black Chrome** Part no. : **49410341**



Spare parts list

Year of production: >02/25

Pos.		Part no.	Price	PU
1	connecting thread	92504001	-	1
2	O-ring 13x2	98128000	-	1
3	escutcheon for spout	87817340	-	1
4	seal	97530000	-	1
5	hollow set screw M5x6	97768000	-	1
6	aerator M24x1 (38 l/min)	95871340	-	1