

**AXOR Citterio C**  
**3-Hole Roman Tub Set Trim with 1.75 GPM Handshower and Sbox**  
 Finish: **Brushed Bronze** Part no. : **49430141**



**Features**

- Consists of: 3-Hole Roman Tub Set Trim, baton handshower, shower holder
- Spray type faucet: Aerated spray
- Maximum pull-out length of handshower: 57"
- Hose box for quiet, smooth and protecting guidance of hose
- Maximum flow rate: 5.3 GPM
- Flow rate of handshower: 1.75 GPM
- Ceramic cartridge
- Integrated backflow prevention
- No additional maintenance opening required
- Spray type handshower: Rain, MonoRain

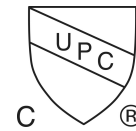
**Item details**

List Price \$ 2,640.00

**Technology**



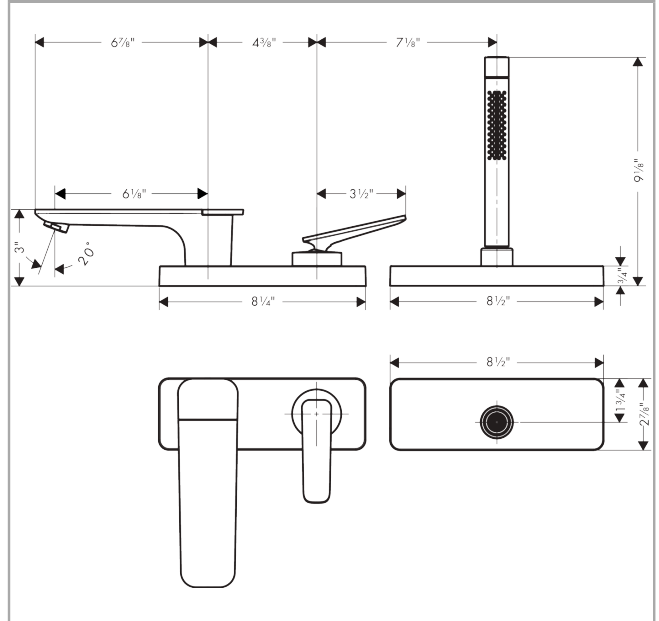
**Compliance / Sustainability**



**Product image**



**Scale drawing**

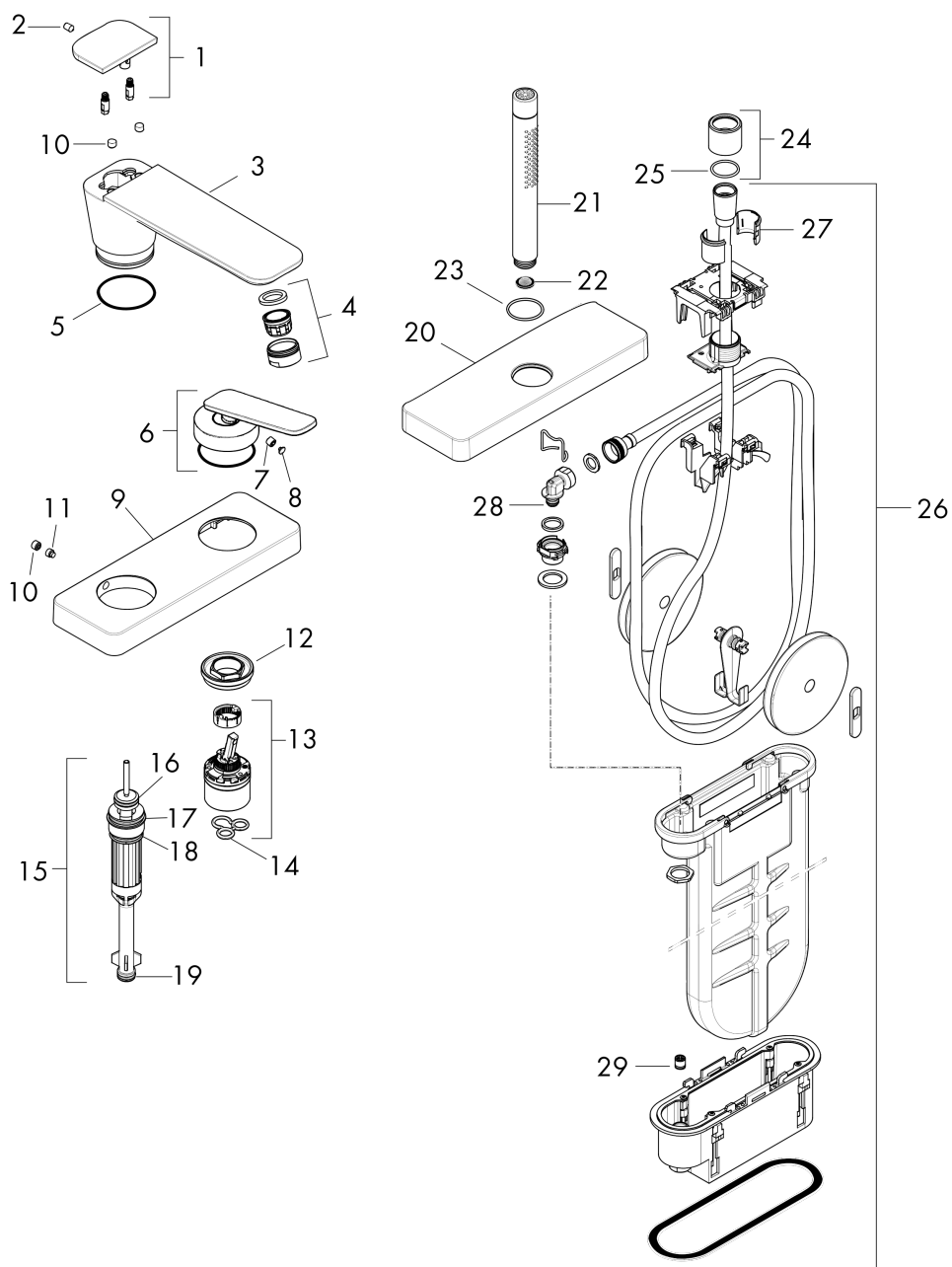


**AXOR Citterio C**  
**3-Hole Roman Tub Set Trim with 1.75 GPM Handshower and Sbox**  
 Finish: **Brushed Bronze** Part no. : **49430141**



## Exploded drawing

Year of production: >02/25



**AXOR Citterio C**  
**3-Hole Roman Tub Set Trim with 1.75 GPM Handshower and Sbox**  
 Finish: **Brushed Bronze** Part no. : **49430141**



## Spare parts list

Year of production: >02/25

Pos.		Part no.	Price	PU
1	spout cpl.	87851140	-	1
2	diverter knob cpl.	87849140	-	1
3	hollow set screw M5x8	92851000	-	1
5	O-ring 42x1,5	98171000	-	1
6	aerator M24x1 (30 l/min)	96512140	-	1
7	handle	87846140	-	1
8	hollow set screw M6x6	98445000	-	1
9	screw cover	93983000	-	1
10	O-ring 41x2	98212000	-	1
11	escutcheon	87848140	-	1
12	hollow set screw M6x6	97660000	-	1
13	nut	87850000	-	1
14	cartridge, assy	93185000	-	1
15	seal	95008000	-	1
16	selector assy	98263000	-	1
17	O-Ring 14x2,5	98189000	-	1
18	O-Ring 23x2,5	98183000	-	1
19	O-ring 20x2,5	92602000	-	1
20	O-ring 9x2,5	98217000	-	1
21	handshower	04486140	-	1
22	filter packing	94246000	-	1
23	escutcheon	87774140	-	1
24	O-Ring 32x2	98193000	-	1
25	nut	97584140	-	1
26	O-ring 24x2	98388000	-	1
27	sBox	94679000	-	1
28	insert for shower holder	96942000	-	1
29	O-ring 9x2	98119000	-	1
30	non return valve DW 10	96456000	-	1
31	-	15487181	-	1