

AXOR Citterio C
3-Hole Wall-Mounted Tub Filler with 1.75 GPM Handshower and Holder- Cubic Cut
 Finish: **Chrome** Part no. : **49481001**



Features

- Consists of: Wall-Mounted 3-Hole Tub Filler , Handshower, shower holder, handshower hose
- Spray type faucet: Aerated spray
- Flow rate for tub spout: 5.3 GPM
- Flow rate of handshower: 1.75 GPM
- 90-degree ceramic valves
- Diverter with automatic resetting
- Spray type handshower: Rain, MonoRain

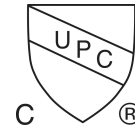
Item details

List Price \$ 1,300.00

Technology



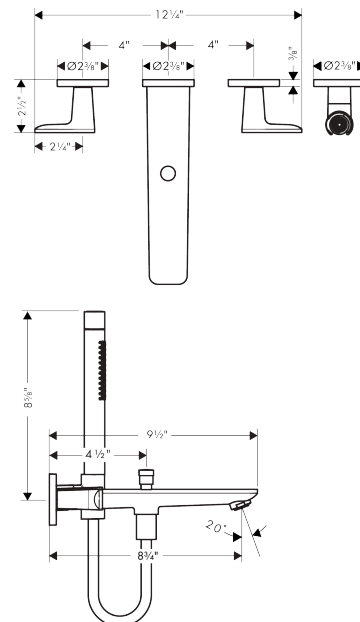
Compliance / Sustainability



Product image



Scale drawing

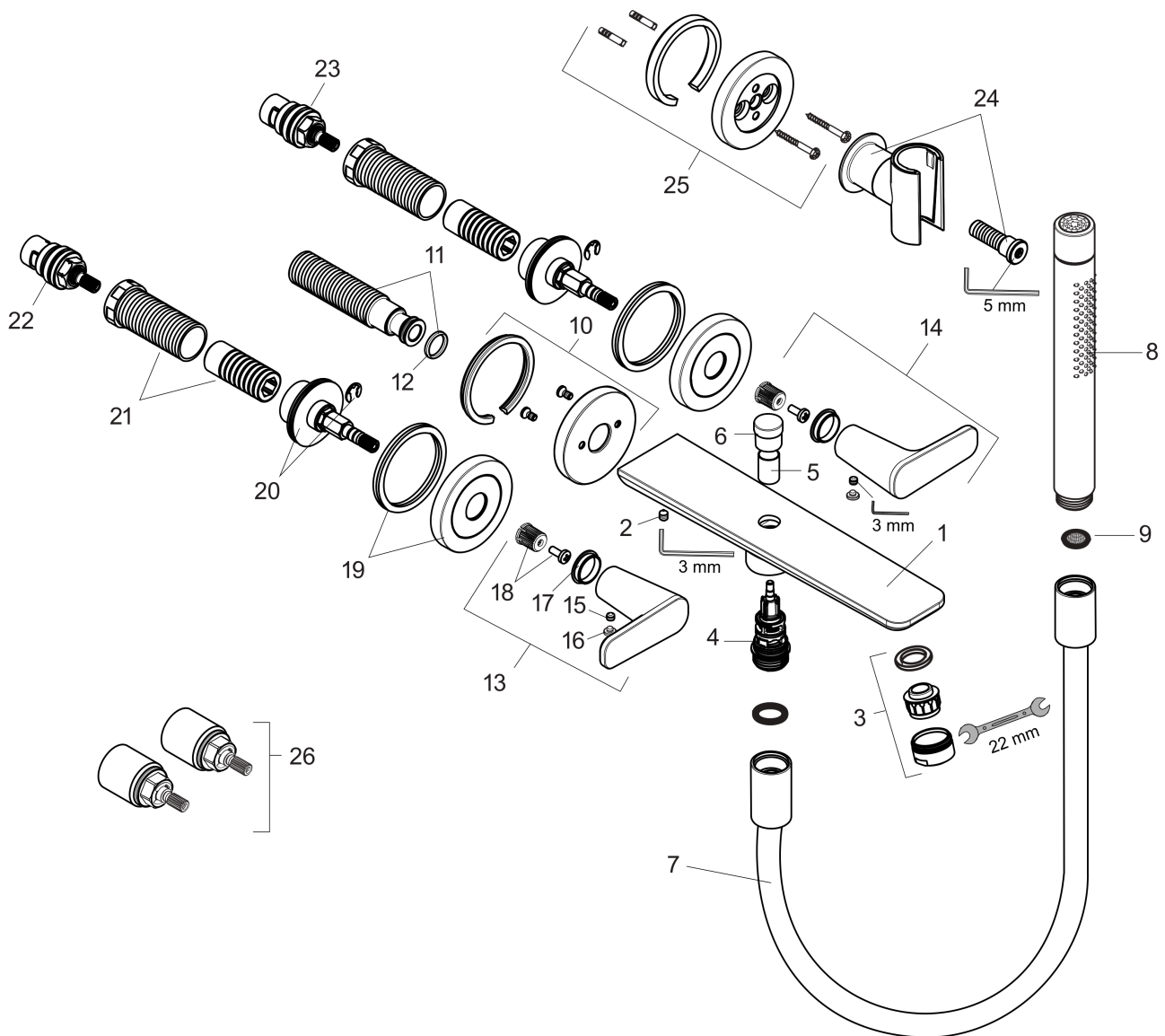


AXOR Citterio C
3-Hole Wall-Mounted Tub Filler with 1.75 GPM Handshower and Holder- Cubic Cut
 Finish: **Chrome** Part no. : **49481001**



Exploded drawing

Year of production: >02/25



AXOR Citterio C
3-Hole Wall-Mounted Tub Filler with 1.75 GPM Handshower and Holder- Cubic Cut
 Finish: **Chrome** Part no. : **49481001**



Spare parts list

Year of production: >02/25

Pos.		Part no.	Price	PU
1	spout cpl.	87825000	-	1
2	hollow set screw M5x6	94810000	-	1
3	aerator M24x1 (38 l/min)	95871000	-	1
4	selector	97978000	-	1
5	sleeve	97979000	-	1
6	diverter knob	97981000	-	1
7	shower hose 1,25 m	28228000	-	1
8	handshower	04486000	-	1
9	filter packing	94246000	-	1
10	escutcheon for spout	87794000	-	1
11	connecting thread G½	95626000	-	1
12	O-ring 13x2	98128000	-	1
13	handle	87793001	-	1
14	handle for cold water	87035001	-	1
15	hollow set screw M6x5	98447000	-	1
16	screw cover	93983000	-	1
17	set of color-rings cold / hot water	98927000	-	1
18	handle fixing set	98932000	-	1
19	escutcheon for handle	87791000	-	1
20	nut	87142000	-	1
21	fixing set	96393000	-	1
22	shut off unit left closing	96351001	-	1
23	shut off unit right closing	96350001	-	1
24	shower holder, assy	97705000	-	1
25	escutcheon	97716000	-	1
26	extension 25 mm	96259000	-	1
a	base body	10303181	-	1