

**AXOR Citterio C**  
**3-Hole Wall-Mounted Tub Filler- Cubic Cut**  
 Finish: **Brushed Nickel** Part no. : **49483821**



### Features

- Spray type faucet: Aerated spray
- Maximum flow rate: 5.3 GPM
- 90-degree ceramic valves

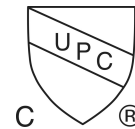
### Item details

List Price \$ 1,320.00

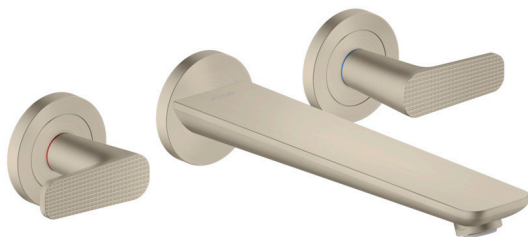
### Technology



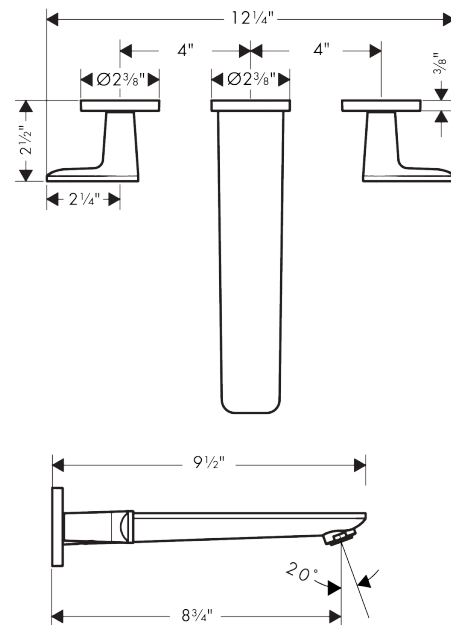
### Compliance / Sustainability



### Product image



### Scale drawing





**AXOR Citterio C**  
**3-Hole Wall-Mounted Tub Filler- Cubic Cut**  
 Finish: **Brushed Nickel** Part no. : **49483821**



## Spare parts list

Year of production: >02/25

Pos.		Part no.	Price	PU
1	spout cpl.	87789820	-	1
2	aerator M24x1 (38 l/min)	95871820	-	1
3	hollow set screw M5x6	94810000	-	1
4	escutcheon for spout	87794820	-	1
5	connecting thread G½	95626000	-	1
6	O-ring 13x2	98128000	-	1
7	handle	87793821	-	1
8	handle for cold water	87035821	-	1
9	hollow set screw M6x5	98447000	-	1
10	screw cover	93983000	-	1
11	set of color-rings cold / hot water	98927000	-	1
12	handle fixing set	98932000	-	1
14	nut	87142000	-	1
15	fixing set	96393000	-	1
16	shut off unit left closing	96351001	-	1
17	shut off unit right closing	96350001	-	1
18	extension 25 mm	96259000	-	1
a	base body	10303181	-	1