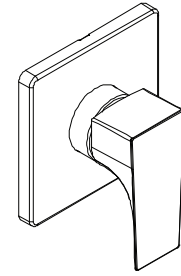
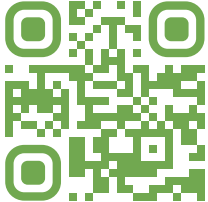




Location:



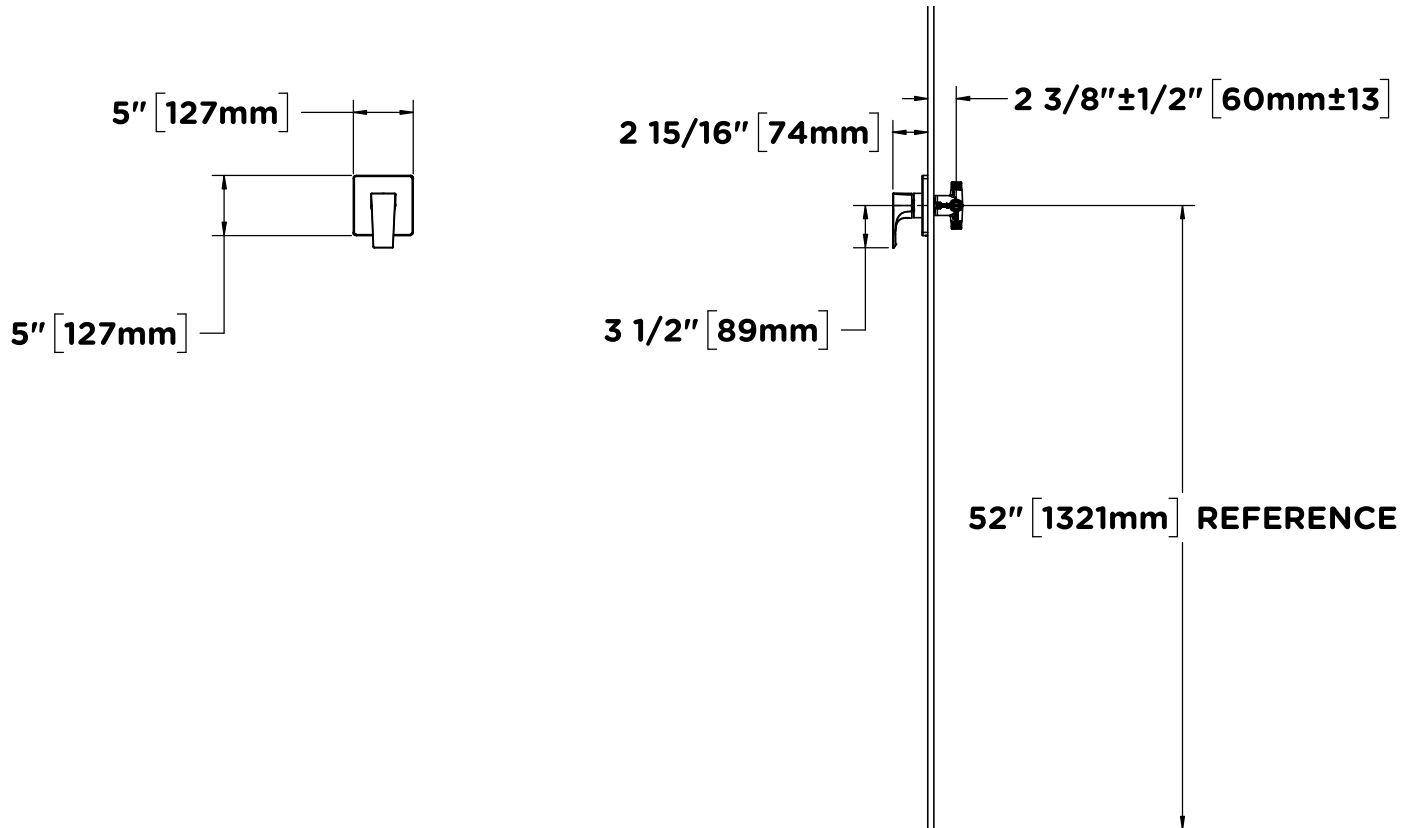
49DIVTRM
Diverter Valve Trim
Specification Submittal

Model Numbers	Options/Modifications
<input type="checkbox"/> 49DIVTRM Diverter Valve Trim	<input type="checkbox"/> MB Matte Black finish <input type="checkbox"/> STN Satin Nickel finish <input type="checkbox"/> L7 Less handle
Feature Highlights	Warranty
<ul style="list-style-type: none"> Screwless Escutcheon Components shall be metal and nonmetallic construction, plated in standard Polished Chrome finish 	<p>Limited Lifetime - to the original end purchaser in consumer/residential installations. 10 Years - for commercial/industrial installations. Refer to www.symmons.com/warranty for complete warranty information.</p> 
Compliance	
<ul style="list-style-type: none"> ASME A112.18.1/CSA B125.1 Lever handle meets ADA requirements  	

Architectural/Engineering Specification

Symmons _____ Diverter Valve Trim includes screwless escutcheon with metal and nonmetallic construction, and polished chrome standard finish. 10 Year Commercial Warranty. ASME A112.18.1/CSA B125.1 compliant and lever handle meets ADA requirements. Available options: "STN - Satin Nickel finish", "MB - Matte Black finish", and "L7 - Less Handle".

Dimensions



Notes:

- 1) Valve body and piping not included and shown as reference only.
- 2) Plaster shield (p/n T-176) for dry wall, plaster or other type walls 1/2" or greater.
- 3) All dimensions measured from nominal rough-in (see I as reference).
- 4) Dimensions subject to change without notice.