

4

3

2

D

D

C

C

B

B

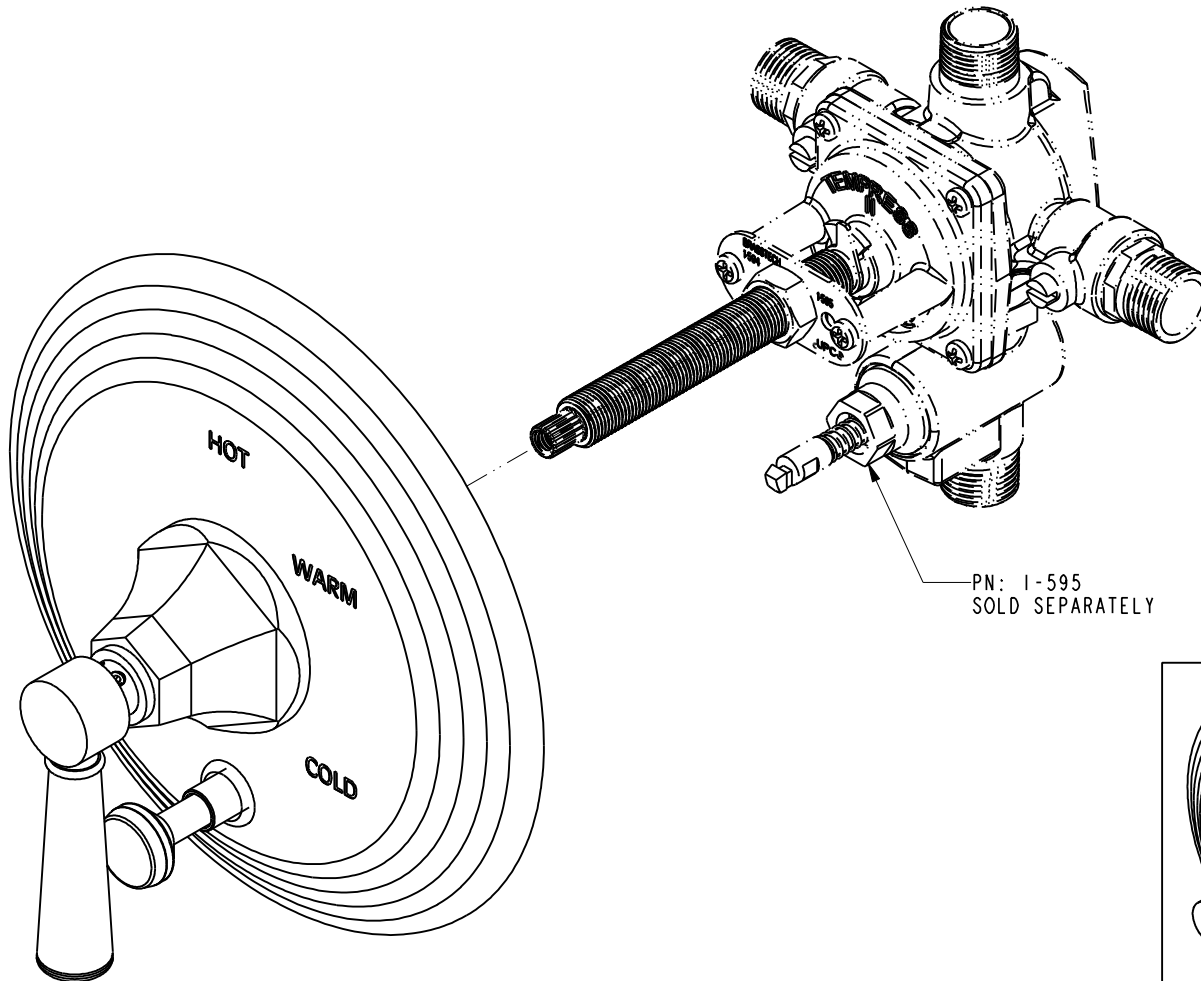
A

A

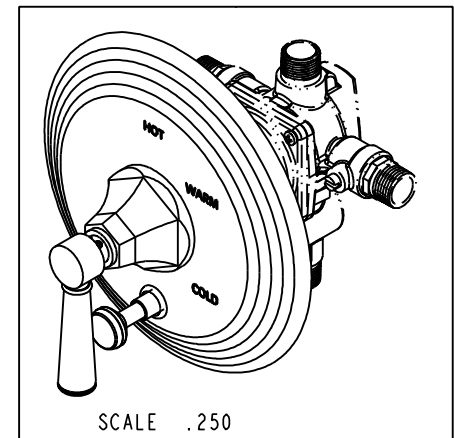
4

3

2

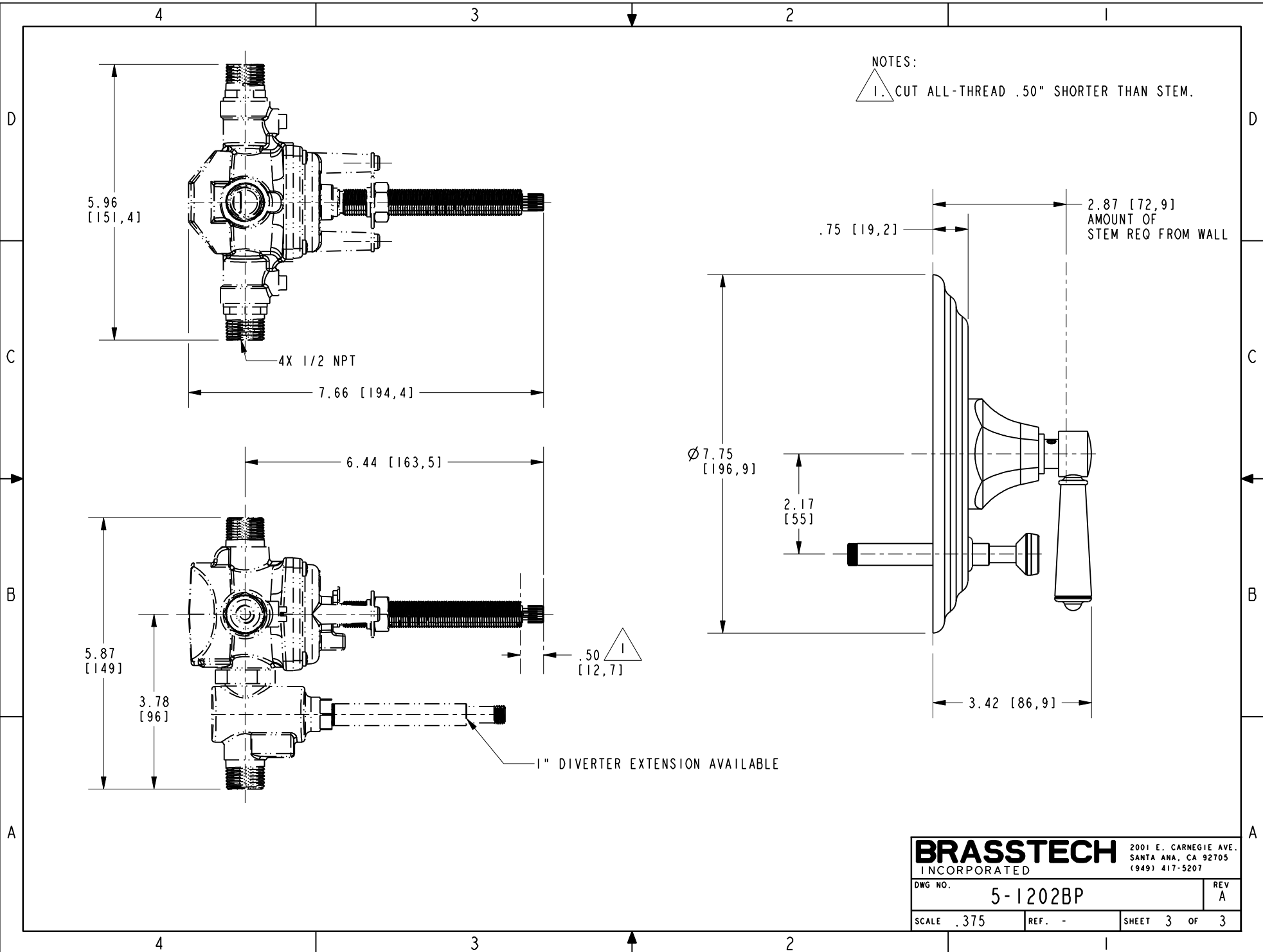


PN: 1-595
SOLD SEPARATELY



SCALE .250

| | | | |
|------------------|----------|-----------------------|----------|
| BRASSTECH | | 2001 E. CARNEGIE AVE. | |
| INCORPORATED | | SANTA ANA, CA 92705 | |
| | | (949) 417-5207 | |
| DWG NO. | 5-1202BP | | REV A |
| SCALE .500 | REF. - | SHEET 2 OF 3 | |



BRASSTECH 2001 E. CARNEGIE AVE.
 INCORPORATED SANTA ANA, CA 92705
 (949) 417-5207

| | | | |
|---------|----------|-------|--------|
| DWG NO. | 5-1202BP | REV | A |
| SCALE | .375 | REF. | - |
| | | SHEET | 3 OF 3 |