

4

3

2

D

D

C

C

B

B

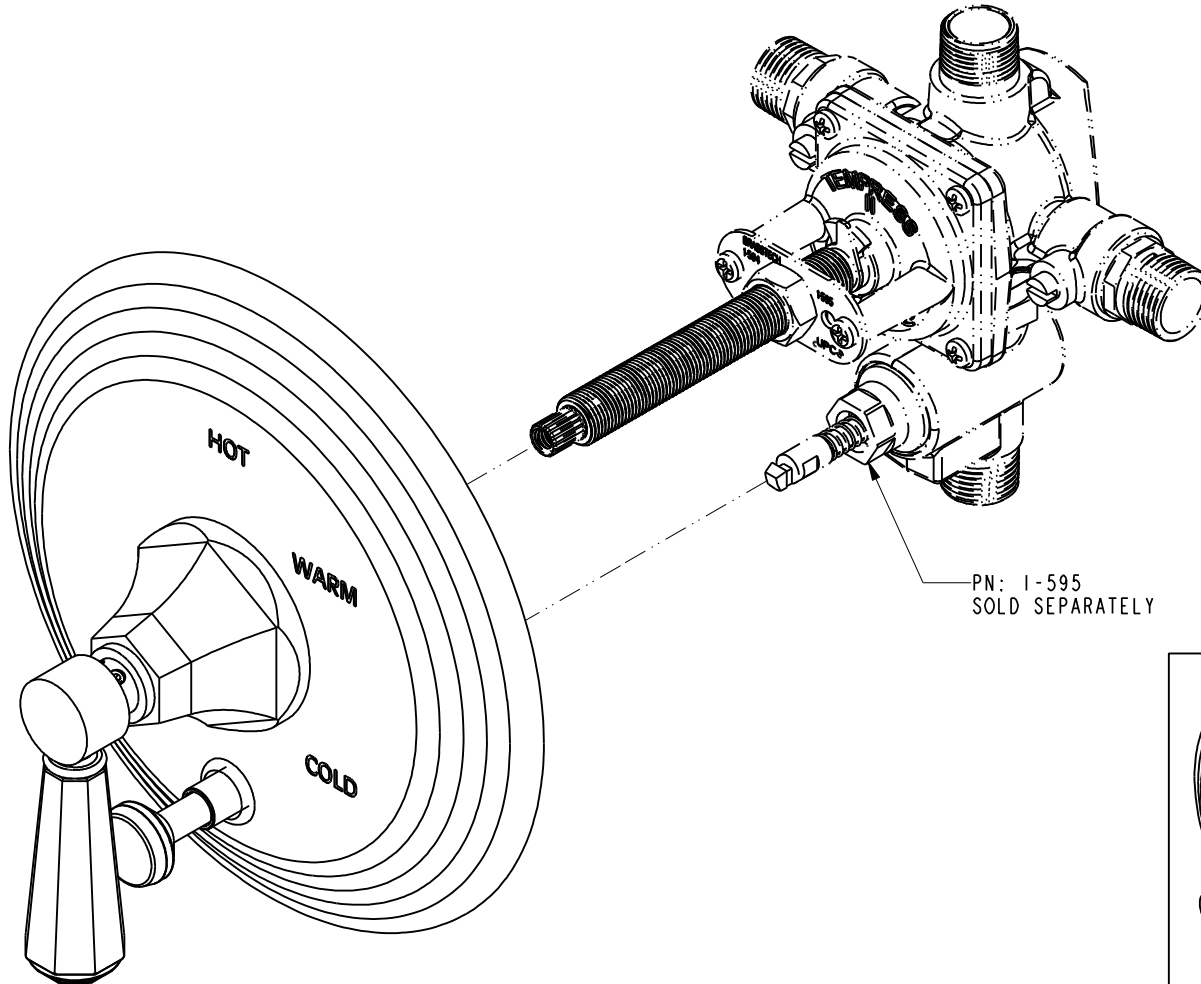
A

A

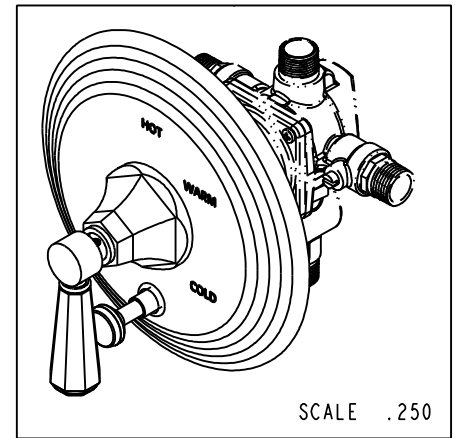
4

3

2




PN: 1-595
SOLD SEPARATELY

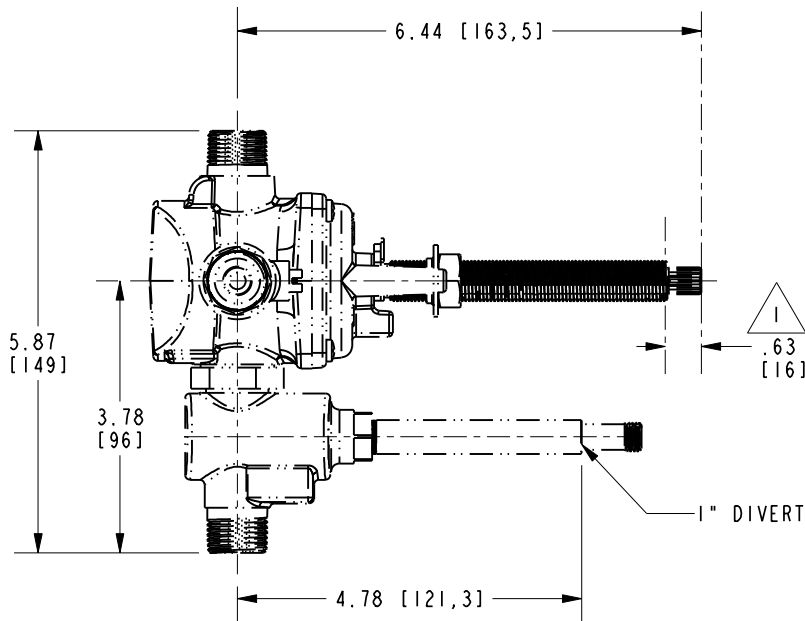
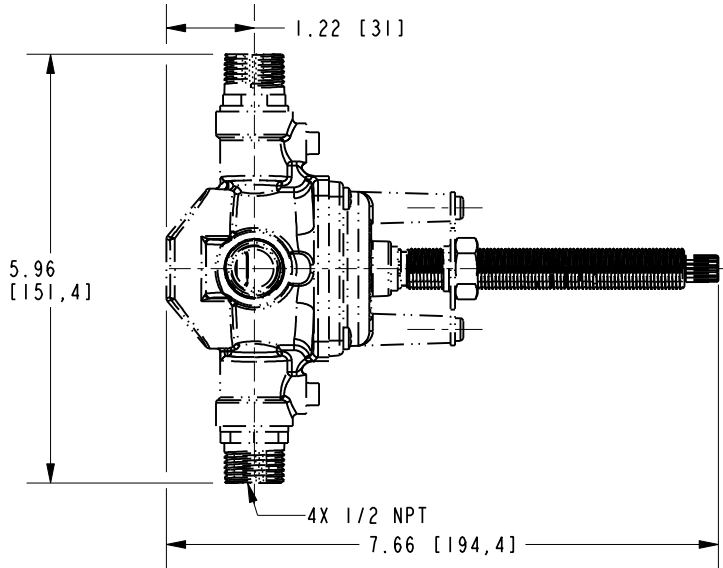


SCALE .250

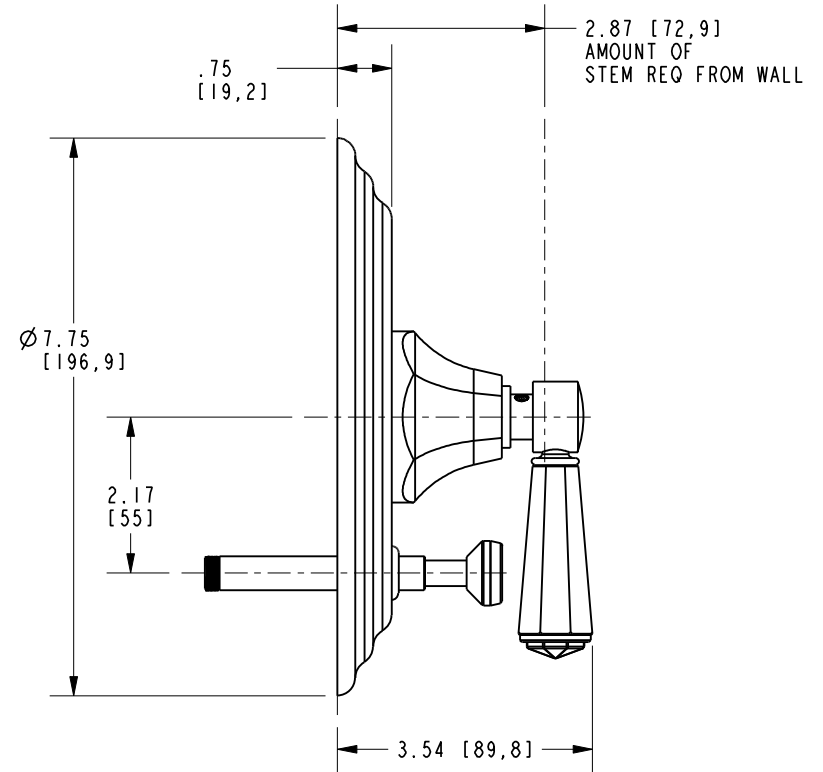
BRASSTECH		2001 E. CARNEGIE AVE.	
INCORPORATED		SANTA ANA, CA 92705	
		(949) 417-5207	
DWG NO.	5-1232BP	REV	A
SCALE .500	REF. -	SHEET 2	OF 3

NOTE:

 CUT ALL-THREAD 0.63" SHORTER THAN STEM.



1" DIVERTER EXTENSION AVAILABLE



BRASSTECH		2001 E. CARNEGIE AVE. SANTA ANA, CA 92705 (949) 417-5207	
DWG NO.	5-1232BP	REV	A
SCALE	.375	REF.	-
		SHEET	3 OF 3