

VARIANT 19-3/4" x 14" OVAL DROP-IN BASIN

Cat.No.
5-606WH



W: 19-3/4"
D: 14"
H: 4-3/4"
Flange: 16-1/4" L x 13-1/2" W x 2" H

Features:

- ▶ For drop-In installation
- ▶ Made of Vitreous China
- ▶ No faucet holes
- ▶ Pre-drilled overflow hole
- ▶ Traditional style
- ▶ Drain not provided

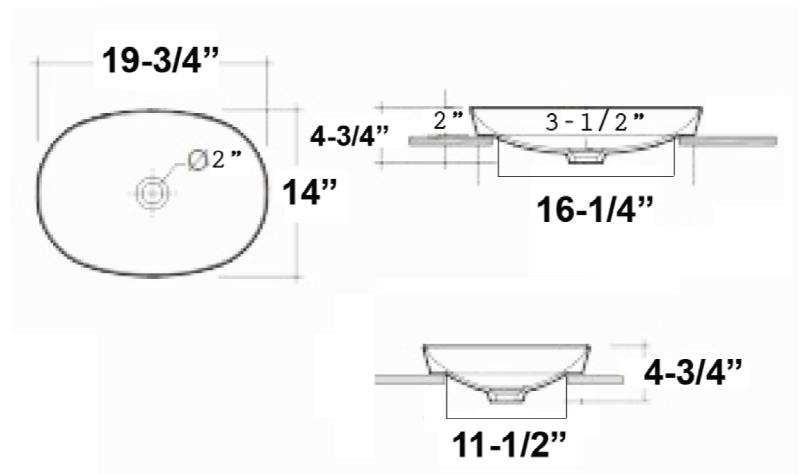
Colors:

WH White

Compliance Certification
Meets or exceeds the following specifications: ASME A112.19.2 2018 and CSA B45.1-18 for ceramic plumbing fixtures.

Interior Dimensions:

Basin Interior: 19"W x 13-1/2"D
Basin Depth: 3-1/2"
Back of basin to center of drain: 7"



Dimensions of fixture are nominal and may vary within the range of tolerances established by ASME Standard A112.19.2.2018 Dimensions and specifications subject to change without notice.