

VARIANT 16-1/2" SQUARE DROP-IN BASIN

Cat.No.
5-681WH



Faucet not included

W: 16-1/2"
D: 16-1/2"
H: 4-3/4"
Flange: 14" L x 14" W x 2-1/4" H

Features:

- ▶ For drop-In installation
- ▶ Made of Vitreous China
- ▶ 1 faucet hole
- ▶ Pre-drilled overflow hole
- ▶ Traditional style
- ▶ Drain not provided

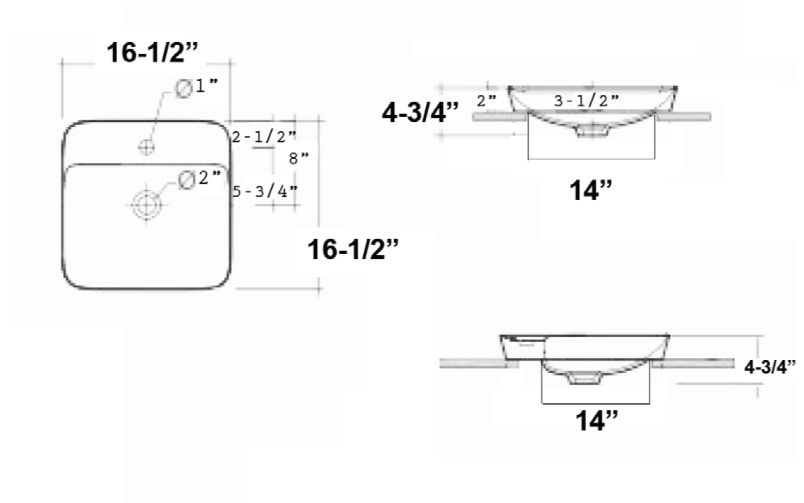
Colors:

WH White

Compliance Certification
Meets or exceeds the following specifications: ASME A112.19.2 2018 and CSA B45.1-18 for ceramic plumbing fixtures.

Interior Dimensions:

Basin Interior: 16"W x 12"D
Basin Depth: 3-1/2"



Dimensions of fixture are nominal and may vary within the range of tolerances established by ASME Standard A112.19.2.2018 Dimensions and specifications subject to change without notice.