

FEATURED MODEL

513-428 Anthracite, 7-1/2" bowl depth

ADDITIONAL MODELS

- 513-426 White, 7-1/2" bowl depth
- 513-427 Biscuit, 7-1/2" bowl depth
- 513-429 Metallic Gray, 7-1/2" bowl depth
- 515-652 Café Brown, 7-1/2" bowl depth

FEATURES

- Undermount installation
- 80% rock hard granite
- Color all the way through
- Highly resistant to scratching, staining and all household acids and alkali solutions
- Non-porous, easy-to-clean
- Heat resistant to 536° F
- Extremely hygienic, does not absorb odors or bacteria

CODE/STANDARDS COMPLIANCE

ANSI Z124.6-97
 IAPMO/UPC listed

OPTIONAL ACCESSORIES

- Sink Grid: 221-014 (Formerly 511-938)
- Cutting Board: 218-620
- Colanders: 215-651, 513-730

WARRANTY

Blanco America's SILGRANIT® Series sinks feature a LIMITED LIFETIME WARRANTY to be free of all manufacturing defects under normal use. See our complete warranty for details.

While Blanco America endeavors to provide accurate information, all dimensions are nominal, cannot be guaranteed, and are subject to change or cancellation. Blanco America assumes no responsibility for use of superseded or voided specifications.

PRODUCT SPECIFICATION

Undermount sink to be single bowl design, 20-3/4" in length and 18" in front-to-back depth. Sink to be made from Silgranit® hard composite material. Sink to feature rear drain placement. Sink to be Blanco (Check one)

- Model 513-426 Model 513-427
- Model 513-428 Model 513-429
- Model 515-652

with bowl depth of 7-1/2".

- White 513-426
- Biscuit 513-427
- Anthracite 513-428
- Metallic Gray 513-429
- Café Brown 515-652

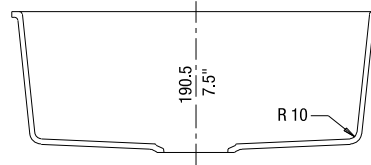
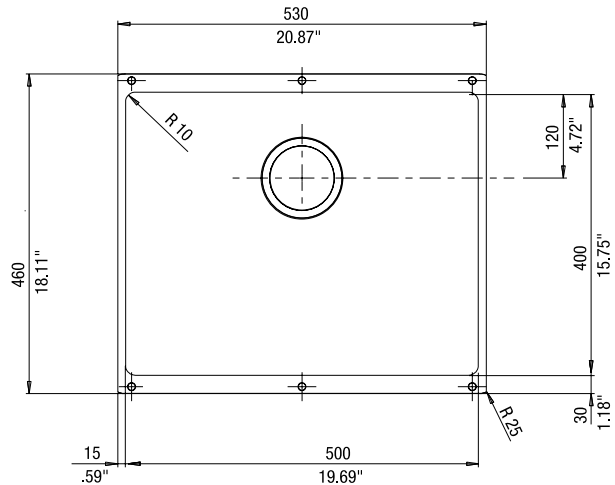


MODEL 513-428 Shown

NOMINAL DIMENSIONS

OVERALL	CUTOUT SIZE	BOWL DEPTH	DRAIN DIAMETER
20-3/4 x 18	Template provided with approximate 1/8" reveal	7-1/2	3-1/2

DXF cutout templates available on our web site.



JOB INFORMATION

Job Name: _____
 Contact: _____
 Date Specified: _____
 Specifier: _____
 Contractor: _____

BLANCO AMERICA
800.451.5782
www.blancoamerica.com

© 2008 BLANCO AMERICA
 06/08 SPEC-003