

FEATURED MODEL

524755 R15 Bar Sink, 8" bowl depth

FEATURES

- Required outside cabinet: 21"
- 16 gauge, 304 series stainless steel
- Premium 18/10 chrome/nickel content
- Satin Finish
- Rear drain placement
- Sound deadening pads
- Undermount installation

ACCESSORIES

Bottom Grid 223200

CODE/STANDARDS COMPLIANCE

ASME 112.19.3-00
IAPMO/UPC listed

WARRANTY

Blanco America's Stainless Steel sinks feature a LIMITED LIFETIME WARRANTY to be free of all manufacturing defects under normal use. See our complete warranty for details.

While Blanco America endeavors to provide accurate information, all dimensions are nominal, cannot be guaranteed, and are subject to change or cancellation. Blanco America assumes no responsibility for use of superseded or voided specifications.

JOB INFORMATION

Job Name: _____

Contact: _____

Date Specified: _____

Specifier: _____

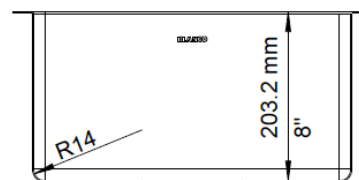
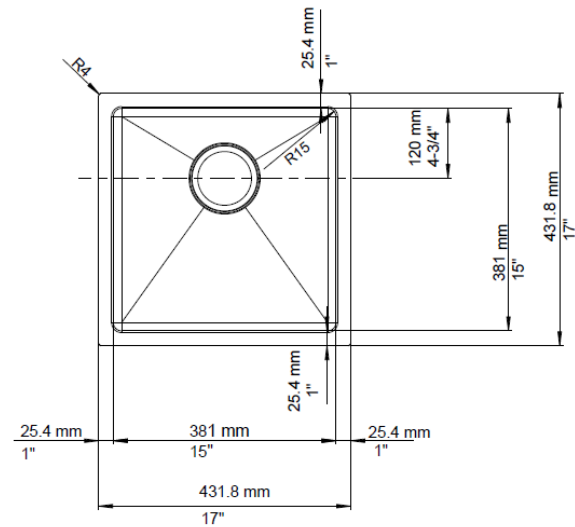
Contractor: _____



NOMINAL DIMENSIONS

OVERALL	CUT OUT SIZE	BOWL DEPTH	DRAIN
17" x 17"	Template provided with approximate 1/8" reveal	8"	3-1/2"

DXF cutout templates available on our website.



BLANCO AMERICA

800.451.5782

www.blancoamerica.com

© 2018 BLANCO AMERICA

1/18

SPEC-001