




5590TRM  
Shower Valve Trim  
**Specification Submittal**

Location:

<p><b>Model Numbers</b></p> <p><input type="checkbox"/> <b>5590TRM</b> Shower Valve Trim</p> <p><b>Valve Options:</b> -262 or 261 Series Temptrol® Shower Valve with TRM modifier -162 or 161 Series Temptrol Shower Valve requires TC modifier</p>	<p><b>Options/Modifications</b></p> <p><input type="checkbox"/> <b>TC</b> Test Cap Trim (includes TA-10™ &amp; T-12A) <i>used with 161/162 Series Temptrol Shower Valve</i></p> <p><input type="checkbox"/> <b>L7</b> Less handle</p> <p><input type="checkbox"/> <b>BBZ</b> Brushed Bronze finish</p> <p><input type="checkbox"/> <b>MB</b> Matte Black finish</p> <p><input type="checkbox"/> <b>STN</b> Satin Nickel finish</p>
<p><b>Feature Highlights</b></p> <ul style="list-style-type: none"> <li>• Elm Shower Valve Trim.</li> <li>• Requires Temptrol® Pressure-Balancing Shower Valve.</li> <li>• Metal lever handle.</li> <li>• Components shall be metal and nonmetal construction, plated in standard Polished Chrome finish.</li> </ul>	<p><b>Warranty</b></p> <p><b>Limited Lifetime</b> - for residential installations. <b>10 Years</b> - for commercial/industrial installations. Refer to <a href="http://www.symmons.com/warranty">www.symmons.com/warranty</a> for complete warranty information.</p> 
<p><b>Compliance</b></p> <ul style="list-style-type: none"> <li>• ASME® A112.18.1/CSA® B125.1</li> <li>• Lever handle meets ADA requirements for operation</li> </ul>  	

**SKU Builder**

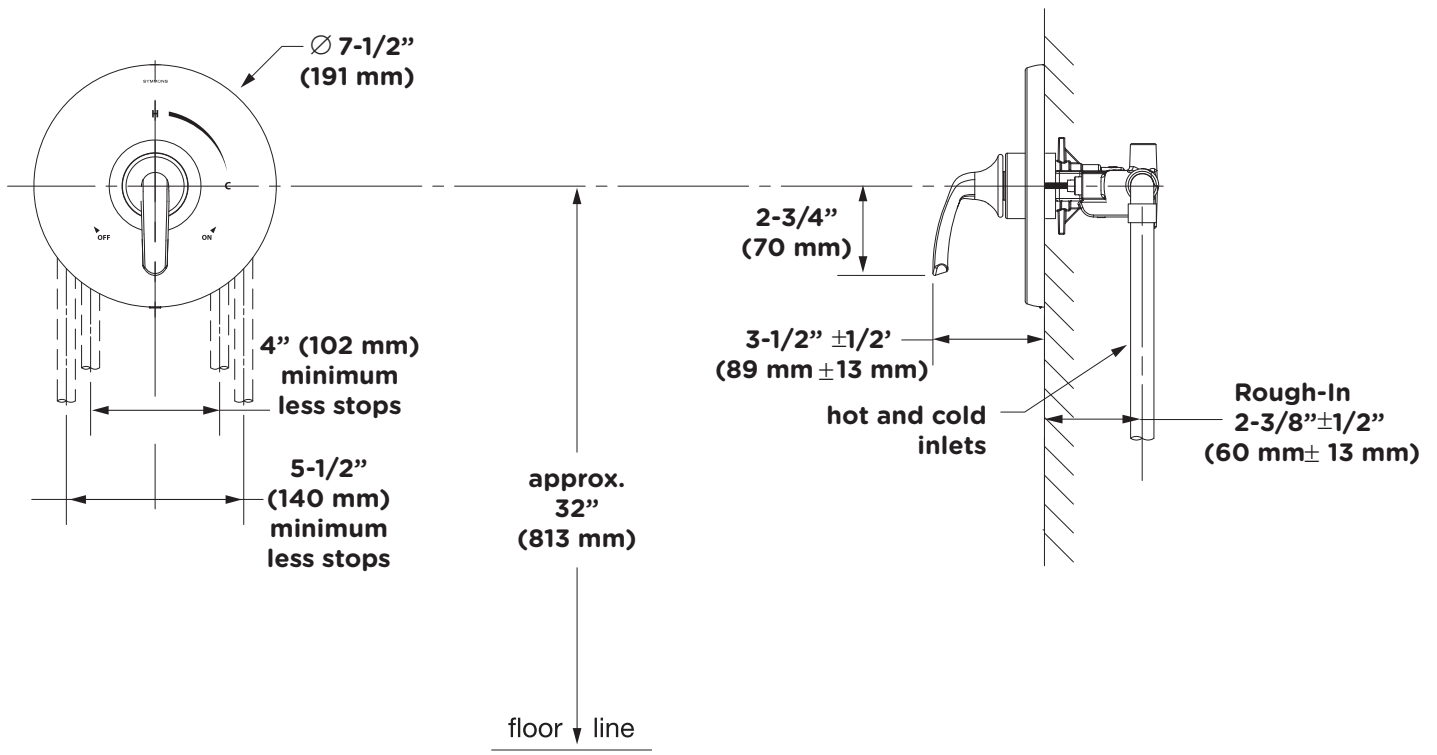
Series	Finish	Modifier	TRM (required)	TC	Final SKU
5590	STN		TRM		5590STNTRM
5590	MB	L7	TRM	TC	5590MBL7TRMTC

**Notes:** No more than two modifiers (L1-L7) permitted when ordering. Modifiers will list in numerical order.

**Architectural/Engineering Specification**

Symmons Elm Shower Valve Trim \_\_\_\_\_ Includes Elm Shower Valve Trim for Temptrol® Pressure-Balancing Shower Valve. Features metal lever handle. Components shall be metal and nonmetal construction, plated in standard Polished Chrome finish. 10-Year Commercial Warranty. ASME A112.18.1/CSA B125.1 compliant. Lever handle meets ADA requirements for operation. Available options include: TC = Test Cap Trim, L7 = Less handle, BBZ = Brushed Bronze finish, MB = Matte Black finish, and STN = Satin Nickel finish.

## Dimensions



### Notes:

- 1) Valve body and piping not included and shown as reference only.
- 2) Plaster shield (p/n T-176) for drywall, plaster, or other type walls 1/2" or greater.
- 3) All dimensions measured from nominal rough-in.
- 4) Dimensions subject to change without notice.