

6030STUB – EVERYDAY BATHS

60 x 30 x 20 5/8 inches



FEATURES

- Alcove bath
- Integral tiling flange (3T)
- Integral 18" skirt
- 2 5/8" wainscot
- Slip-resistant textured bottom
- Left or right hand drain
- AcrylX™ applied acrylic surface
- Lifetime limited warranty

OPTIONS

- Coordinating wall set available (model #6030FWS1)
- Designer drain, waste & overflow

AQUATIC ADVANTAGE

- National distribution
- 7 manufacturing facilities
- Private fleet
- Centralized customer service
- Field support

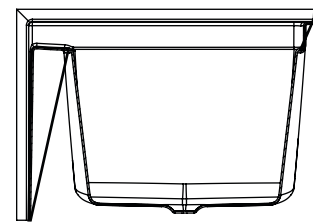
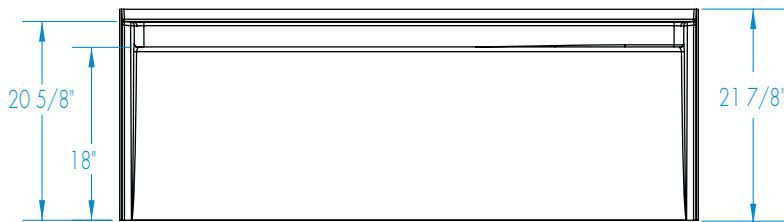
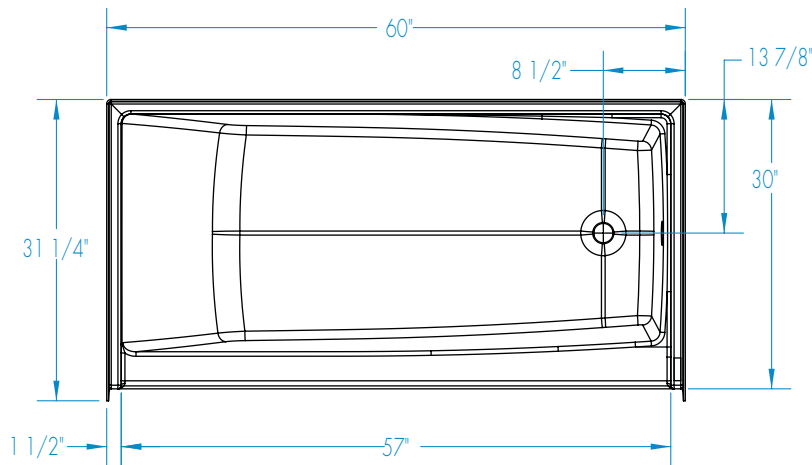
COLOR OPTIONS

Stock	Upgraded	Premium
White	Almond Biscuit/Linen Bone	Black Mexican Sand Sand Bar Sterling Silver



6030STUB

60 x 30 x 20 5/8
inches



FEATURES lbs Dimensional Tolerance $\pm 3/8"$. Dimensions needed for site preparation should be measured from the unit. Aquatic assumes no responsibility for preparatory work.

Model #	Material	Jets	Motor	Controls	Drain	Net Wt.	Pkg. Wt.
Soaker #6030STUB	AcrylX™	-	-	-	LH or RH	63	68

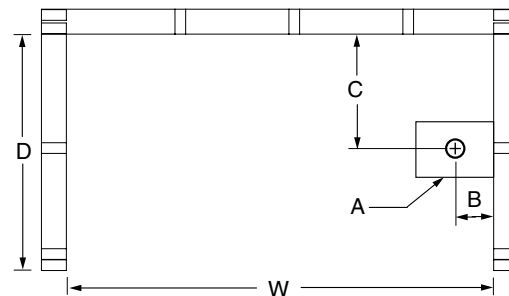
DIMENSIONS

Specifications	inches
Width: Overall / Net	60
Depth: Overall / Net	31 1/4 / 30
Height: Overall / Net	21 7/8 / 20 5/8
Enclosure Opening	57
Skirt Height	18
Drain Rough-In (from Back Wall)	13 7/8
Drain Rough-In (from Side Wall)	1
Drain: Diameter / Clearance	2 / 3/4

FRAMING DIMENSIONS

 inches

Type	D Depth	W Width	H Height	A	B	C
Alcove	31 1/4	60 1/8	-	Box Out	1	13 7/8



SUMP DATA

Top of Drain to Bottom of Overflow	Capacity to Overflow gal	Min. Operating Capacity gal	WIDTH @ centerline		DEPTH @ centerline	
			Top	Bottom	Top	Bottom
12 5/8	56 7/10	-	56 1/4	46	24 5/8	22 1/2