

6032DMINWP – EVERYDAY BATHS

inches (mm)

60 x 32 x 19 (1525 x 810 x 470) • Fax on Demand #9059

SOAKER MODEL #6032DMIN

WHIRLPOOL MODEL #6032DMINWP



FEATURES

- Island bath
- Deep bathing well
- Ergonomic backrest
- Slip-resistant textured bottom
- Universal drain
- Gelcoat surface
- West zone only
- 5-year limited warranty

Whirlpool Features:

- .75hp motor
- 6 directional hydrotherapy jets
- Pneumatic on/off control
- Advanced safety suction system

OPTIONS

- Designer drain, waste & overflow

AQUATIC ADVANTAGE

- National distribution
- 5 manufacturing facilities
- Private fleet
- Centralized customer service
- Field support
- 24-hour fax-on-demand

COLOR OPTIONS

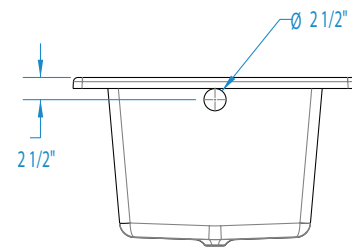
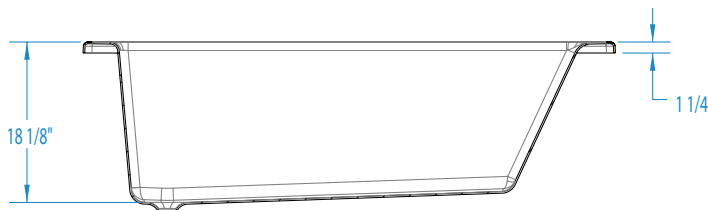
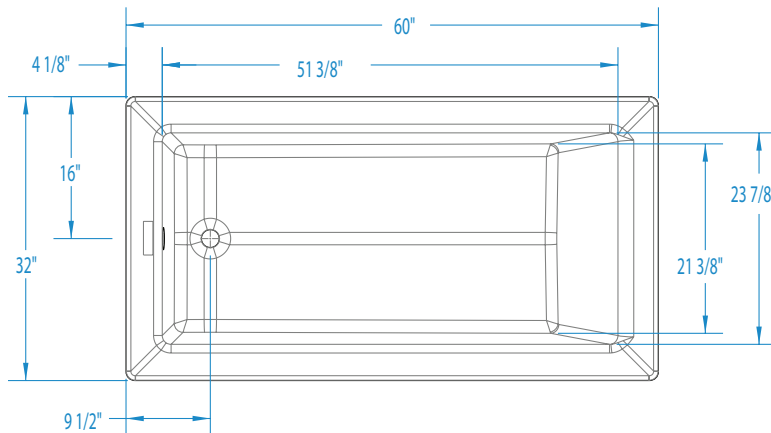
Stock	Premium
Almond*	Black*
Biscuit	Mexican Sand*
Bone*	Sand Bar*
Linen*	Sterling Silver*
White	

* color not available for whirlpool models



6032DMINWP

60 x 32 x 19 (1525 x 810 x 470)
inches (mm)



FEATURES lbs (kg) Dimensional Tolerance $\pm \frac{3}{16}$ ". Dimensions needed for site preparation should be measured from the unit. Aquatic assumes no responsibility for preparatory work.

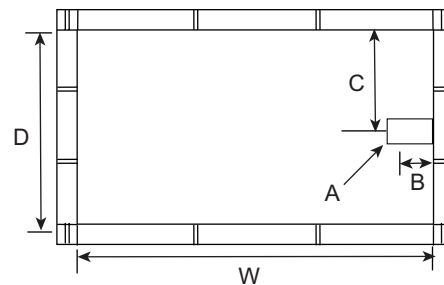
Model #	Material	Jets	Motor	Controls	Drain	Net Wt.	Pkg. Wt.
Soaker #6032DMIN	Gelcoat	0	-	-	Universal	40 (18)	45 (20)
Whirlpool #6032DMINWP	Gelcoat	6	0.75 HP	Pneumatic	Universal	80 (36)	85 (39)

DIMENSIONS

Specifications	inches (mm)
Width: Overall / Net	60 (1525)
Depth: Overall / Net	32 (810) / 32 (810)
Height: Overall / Net	19 (480)
Enclosure Opening	-
Skirt Height	
Drain Rough-In (from Back Wall)	16 (405)
Drain Rough-In (from Side Wall)	3 (75)
Drain: Diameter / Clearance	2 (50) / N/A

FRAMING DIMENSIONS inches (mm)

Type	D Depth	W Width	H Height	A	B	C
Island (Drop-In)	30 (760)	58 (1475)	17 3/4 (450)	Box Out	3 (75)	16 (405)



SUMP DATA

Top of Drain to Bottom of Overflow	Capacity to Overflow gal (ltr)	Min. Operating Capacity gal (ltr)	WIDTH @ centerline		DEPTH @ centerline	
			Top	Bottom	Top	Bottom
14 1/2 (370)	60 (227)	38 (144)	51 3/8 (1305)	43 (1090)	23 7/8 (605)	21 3/8 (540)