

# CRYSTORAMA

1958

95 Cantiague Rock Road, Westbury NY 11590

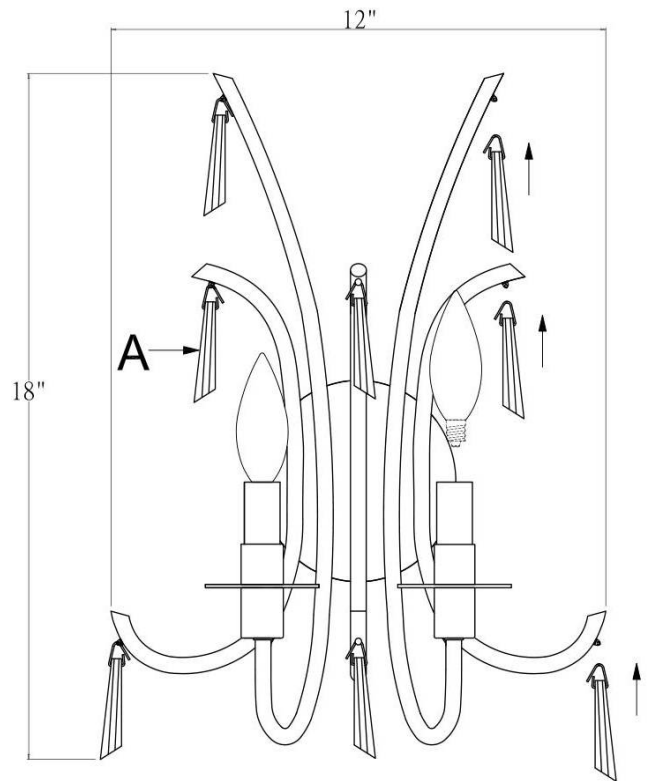
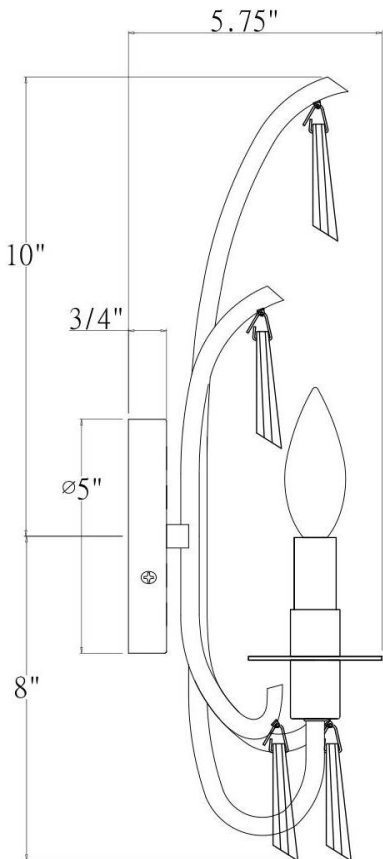
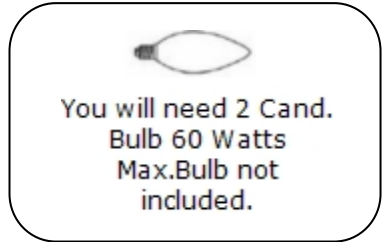
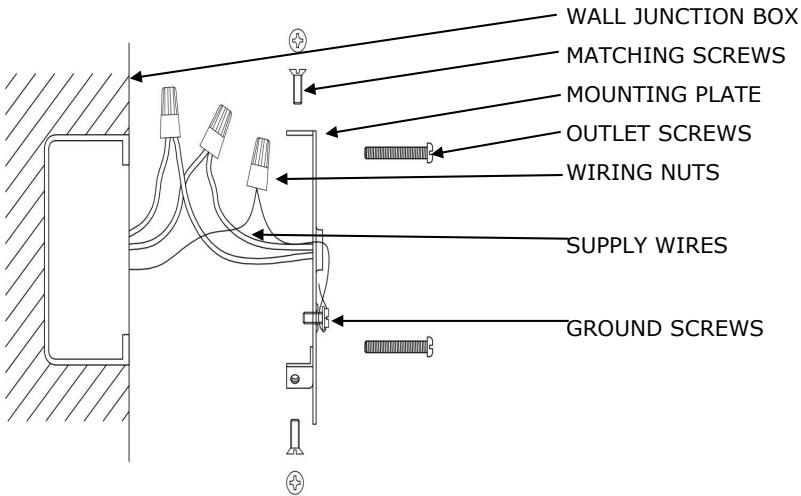
Ph: 516.931.9090 Fax: 516.931.1254

[info@crystorama.com](mailto:info@crystorama.com) [www.crystorama.com](http://www.crystorama.com)

## MODEL #: 6032-PN-CL-MWP ASSEMBLY AND DRESSING INSTRUCTIONS



All electrical components must be installed by a licensed electrician in accordance with the National Electric Code and the appropriate local electrical codes.



**(60mm Crystal Drop)\*8PCS**