

## Kipton Apron Bathtub

- 220AS9631R  
Right Drain
- 220AS9632L  
Left Drain

### Stylish Design:

- High-gloss acrylic with fiberglass reinforcement
- Integral apron with clean, minimalist design
- Spaciously designed to provide maximum bathing space with a wide and deep bathing well
- Color matched white slotted overflow and drain for seamless look and increased soaking depth (sold separately)
- Textured floor help to improve safety
- Smooth lumbar support for increased back comfort
- Form fitted tub pillow for maximized comfort sold separately
- Coordinates with Aspirations™ bathroom suite

### Easy Install and Care:

- High-gloss surface allows easier maintenance and cleaning
- Integral three-sided, 1" tiling/water retention flange helps prevent water seepage
- Pre-leveled tub bottom for easier installation
- Integral lumbar support provides extra comfort
- Limited Lifetime warranty

### Nominal Dimensions:

60" x 30" x 18"  
(1524 x 762 x 457mm)

### Compliance Certifications - Meets or Exceeds the Following Specifications:

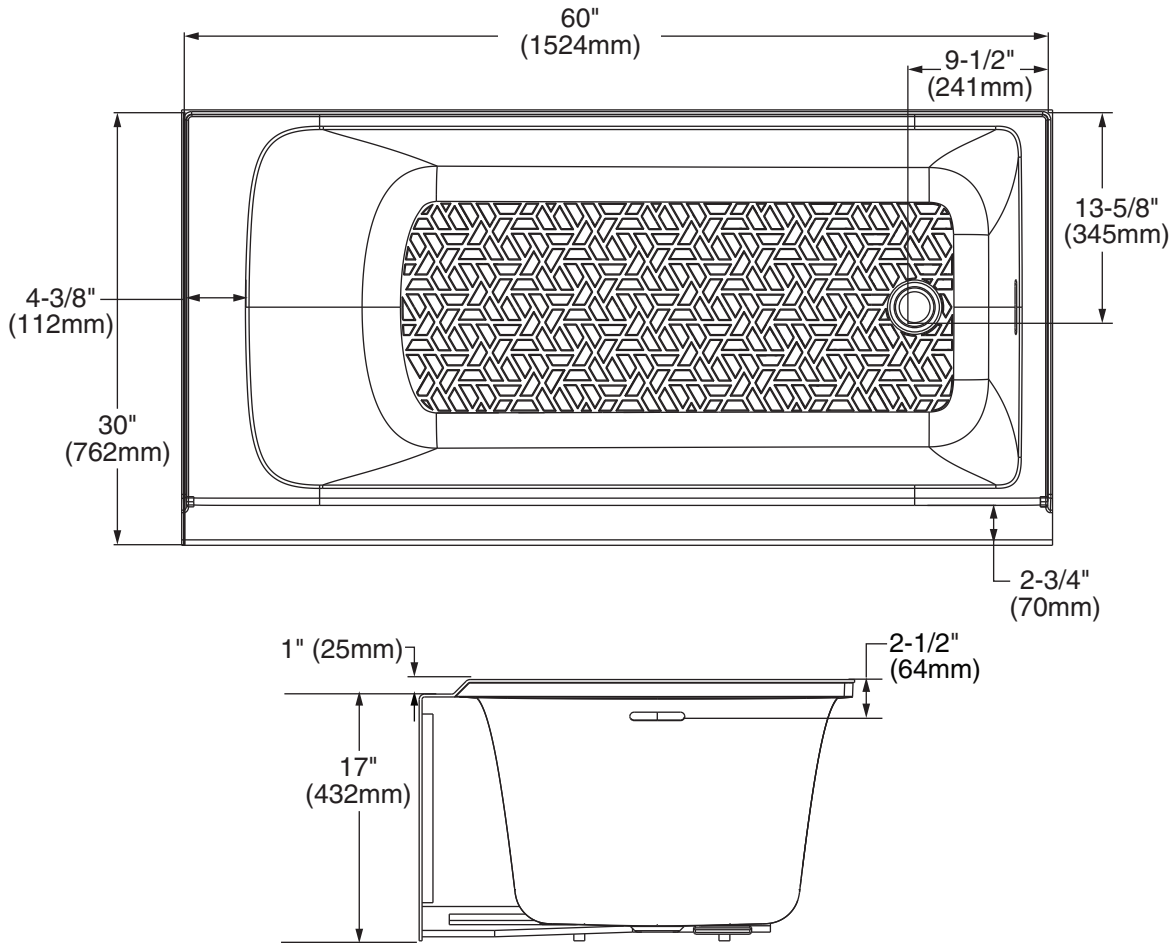
- CSA B45.5/ IAPMO Z124
- cUPC

#### To Be Specified - Required

- Color:  
- 020 White



SEE REVERSE FOR ROUGHING-IN DIMENSIONS  
AND PRODUCT SPECIFICATIONS



<b>GENERAL SPECIFICATIONS FOR TUB</b>	
INSTALLED SIZE	60 x 30 x 18 In. (1524 x 762 x 455mm)
WEIGHT	75 Lbs. (34 Kg)
WEIGHT w/WATER	575 Lbs.(261 Kg)
GAL. TO OVERFLOW	53.66 Gal. (203 L)
BATHING WELL AT SUMP	43-1/8 x 19-3/8 In. (1097 x 494mm)
BATHING WELL AT RIM	53-1/8 x 25 In.(1348 x 634mm)
WATER DEPTH TO OVERFLOW	14 In. (356mm)
FLOOR LOADING	46 Lbs./Sq.Ft. (224.6 Kg/Sq.m)
LUMBAR ANGLE	24.7 deg
PROJECTED AREA	12.5 sq ft (1.161 sq m)
PROJECTED VOLUME	18.75 cu ft (0.530 cu m)

**NOTES:**

- BATH TO BE INSTALLED ABOVE FLOOR LINE AS A RECESS INSTALLATION.
- REFER TO INSTALLATION INSTRUCTIONS SUPPLIED WITH TUB FOR ADDITIONAL INFORMATION.
- FITTINGS NOT INCLUDED AND MUST BE ORDERED SEPARATELY.
- PROVIDE SUITABLE REINFORCEMENT FOR ALL SUPPORTS.
- MOUNTING HOLES DRILLED BY INSTALLER.

**IMPORTANT:** Dimensions of fixtures are nominal and may vary within the range of tolerances established by ANSI Standard CSA B45.5-11/IAPMO Z124. These measurements are subject to change or cancellation. No responsibility is assumed for use of superseded or voided pages.