

**Kipton**

- 220AS9651R  
Right Drain
- 220AS9652L  
Left Drain

**Stylish Design:**

- High-gloss acrylic with fiberglass reinforcement
  - Integral apron with clean, minimalist design
  - Spaciously designed to provide maximum bathing space with a wide and deep bathing well
  - Color matched white slotted overflow and drain for seamless look and increased soaking depth (sold separately)
  - Textured floor help to improve safety
  - Smooth lumbar support for increased back comfort
  - Form fitted tub pillow for maximized comfort sold separately
  - Coordinates with Aspirations™ bathroom suite
- Easy Install and Care:**
- High-gloss surface allows easier maintenance and cleaning
  - Integral three-sided, 1" tiling/water retention flange helps prevent water seepage
  - Pre-leveled tub bottom for easier installation
  - Integral lumbar support provides extra comfort
  - Limited Lifetime warranty

**Nominal Dimensions:**

60" x 36" x 18"  
(1524 x 914 x 457mm)

**Compliance Certifications -**

**Meets or Exceeds the Following Specifications:**

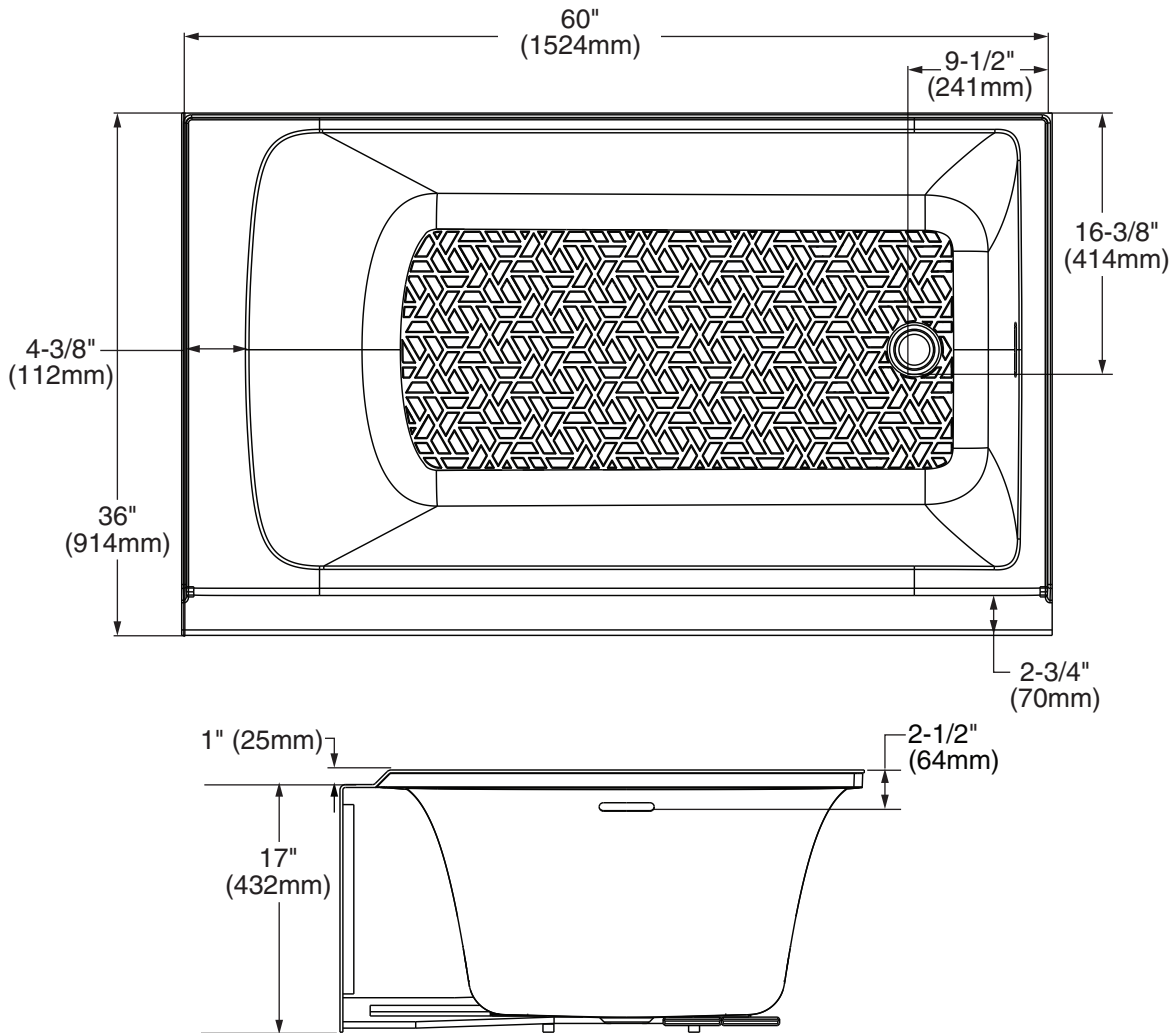
- CSA B45.5/ IAPMO Z124
- cUPC



**To Be Specified - Required**

- Color:  
- 020 White

SEE REVERSE FOR ROUGHING-IN DIMENSIONS AND PRODUCT SPECIFICATIONS



GENERAL SPECIFICATIONS FOR TUB	
INSTALLED SIZE	60 x 36 x 18 In. (1524 x 914 x 455mm)
WEIGHT	90 Lbs. (41 Kg)
WEIGHT w/WATER	535 Lbs. (243 Kg)
GAL. TO OVERFLOW	60.79 Gal. (230 L)
BATHING WELL AT SUMP	43-1/8 x 21-3/8 In. (1097 x 542mm)
BATHING WELL AT RIM	53-1/8 x 30-3/8 In. (1348 x 771mm)
WATER DEPTH TO OVERFLOW	14 In. (355mm)
FLOOR LOADING	39.33 Lbs./Sq.Ft. (192 Kg/Sq.m)
LUMBAR ANGLE	24.7 deg
PROJECTED AREA	15 sq ft (1.40 sq m)
PROJECTED VOLUME	22.5 cu ft (0.6 cu m)

**NOTES:**

- BATH TO BE INSTALLED ABOVE FLOOR LINE AS A RECESS INSTALLATION.
- REFER TO INSTALLATION INSTRUCTIONS SUPPLIED WITH TUB FOR ADDITIONAL INFORMATION.
- FITTINGS NOT INCLUDED AND MUST BE ORDERED SEPARATELY.
- PROVIDE SUITABLE REINFORCEMENT FOR ALL SUPPORTS.
- MOUNTING HOLES DRILLED BY INSTALLER.

**IMPORTANT:** Dimensions of fixtures are nominal and may vary within the range of tolerances established by ANSI Standard CSA B45.5-11/IAPMO Z124. These measurements are subject to change or cancellation. No responsibility is assumed for use of superseded or voided pages.