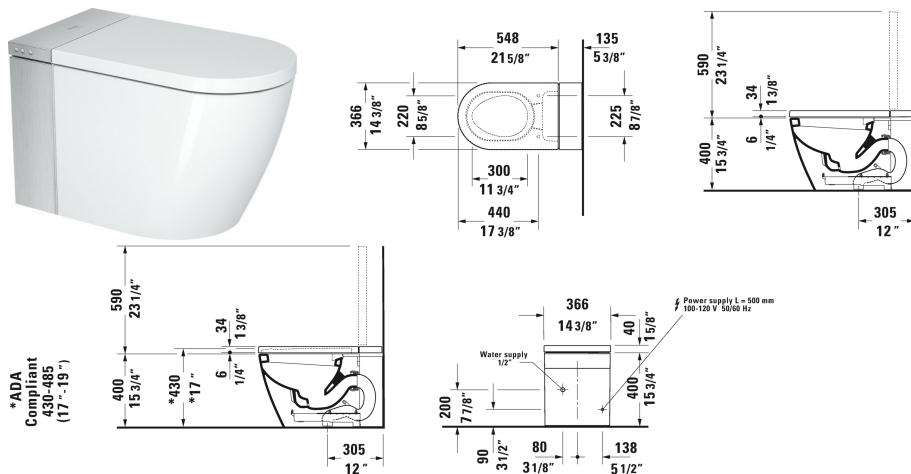


SensoWash® i SensoWash® i Plus integrated shower-toilet #
620000011401320

< 14 1/2" Inch >



SensoWash® i Plus integrated shower-toilet	Dimension	Weight	Order number
Rear-, Lady- and Comfortwash, vertical outlet, heated seat, Intelligent energy-saving mode, warm air dryer, individual adjustment of water-, air- and seat surface temperature as well as nozzle position and jet strength, odor extraction, Automatic odor extraction, Adjustable odor extraction follow-up time, Auto flush, with integrated flushing system, pre-flush, automatic opening/closing of lid, Electronically actuated lid, descaling function, night light, 2 individually programmable user profiles, remote control included, app operation, self-cleaning wand, on / off-button, 17 3/8" Inch			
Colors			
00 White			
Variant			
AC 100-120V, 50-60 Hz, panels White, rimless, seat/lid material duroplast/thermoplastic	14 1/2" x 26 7/8" Inch	105.8 lb	620000011401320
Installation accessories			
Wall bracket frame type, for permanent remote control installation, suitable for SensoWash Plus remote control			100724

All drawings contain the necessary measurements which are subject to standard tolerances. They are stated in inch & mm and are non-binding. Exact measurements, in particular for customized installation scenarios, can only be taken from the finished ceramic piece.