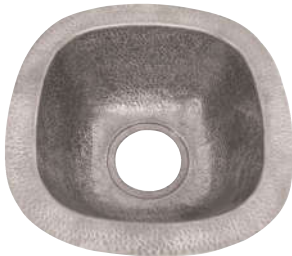


TRENT SQUARE COPPER PREP/BAR SINK

Cat. No.
6512



Basin Dimensions:

W: 12"
D: 12"
H: 6"

Interior Dimensions:

Basin Interior: 9-7/8" x 9-7/8"
Basin Depth: 5-3/4"

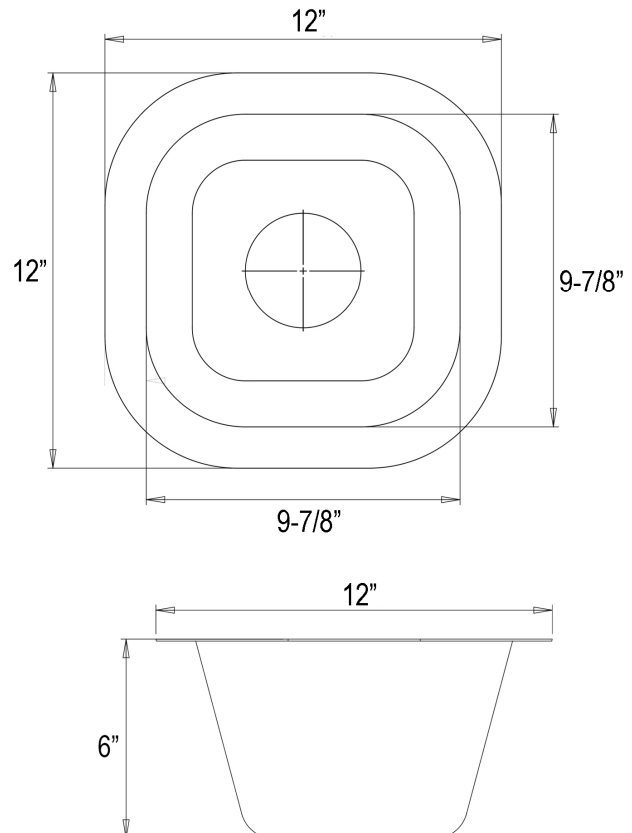
Features:

- ▶ 16 Gauge Metal
- ▶ Standard 3-1/2" drain
- ▶ Flange measures 4-5/8" in diameter and 1/4" in height
- ▶ 1" Flat rim
- ▶ For undermount applications
- ▶ Available in 2 finishes
- ▶ Copper has natural bacteria fighting properties
- ▶ Copper is a living finish and will patina over time
- ▶ Pewter will not patina under normal circumstances

Finishes:

AC Hammered Antique Copper
PE Hammered Pewter

Compliance Certification
Material is consistent with
UNS C81100 Copper Casting
Alloy with respect to chemical
composition.



Dimensions of fixture are nominal and may vary. Dimensions and specifications subject to change without notice.