

TRENT SQUARE PREP/BAR SINK

Cat. No.
6516



Basin Dimensions

W: 16"

D: 16"

H: 8"

Interior Dimensions:

Basin Interior: 13-1/2" x 13-1/2"

Basin Depth: 7-3/8"

Features:

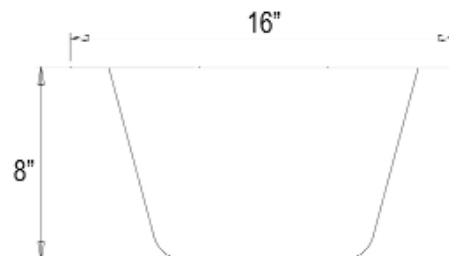
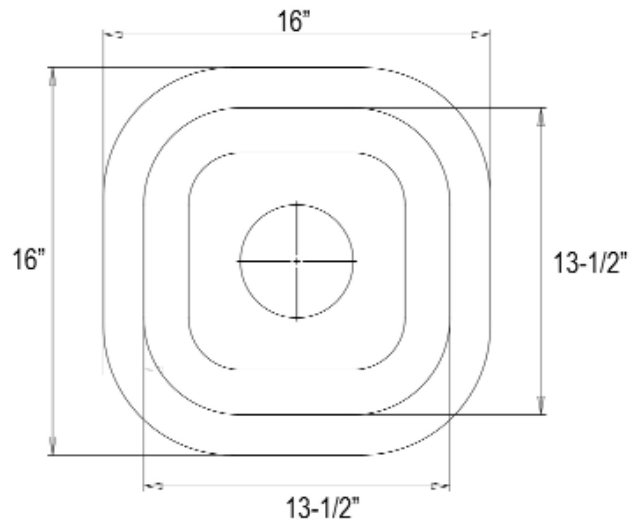
- ▶ 16 Gauge Metal
- ▶ Standard 3-1/2" drain
- ▶ 1-1/4" flat rim
- ▶ Flange measures 4-5/8" in diameter and 1/8" in height
- ▶ Accomodates 3-1/2" drain
- ▶ For undermount applications
- ▶ Copper has natural bacterial fighting properties
- ▶ Copper is a living finish and will patina over time
- ▶ Pewter will not patina under normal circumstances

Finishes:

AC Hammered Antique Copper

PE Hammered Pewter

Compliance Certification
Material is consistent with
UNS C81100 Copper Casting
Alloy with respect to chemical
composition.



Dimensions of fixture are nominal and may vary. Dimensions and specifications subject to change without notice.