



Buy it for looks. Buy it for life.®

*There is more than 1 version of this model.  
Page down to identify the version you have.*

**DESCRIPTION**

- Metal construction with various finishes identified by suffix
- Includes metal or 50/50 waste assembly where noted
- Includes optional 3 hole deck plate (escutcheon)
- Flexible supplies with 3/8" compression fittings

**OPERATION**

- Temperature controlled by 100° arc of handle travel

**FLOW**


- Water usage is limited to these maximum flow rates as indicated by the corresponding product markings
  - 1.2 gpm max (4.5L/min) at 60 psi
  - 1.5 gpm max (5.7L/min) at 60 psi

**CARTRIDGE**

- 1255™ Duralast™ cartridge for Single-Handle Faucets

**STANDARDS**

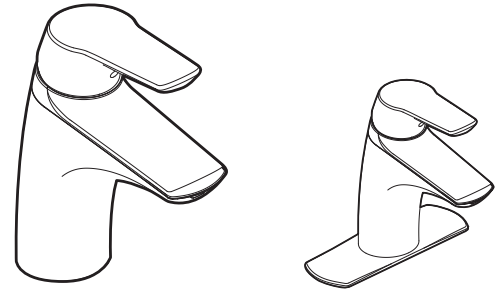
- Third party certified to WaterSense®, ASME A112.18.1/CSA B125.1 and all applicable requirements referenced therein
- Certified to NSF 61/9 & 372
- Products marked with 1.2 gpm are compliant with California water efficiency regulations
- Complies with California Proposition 65 and with the Federal Safe Drinking Water Act

- **ADA**  for lever handles

**WARRANTY**

- Lifetime limited warranty against leaks, drips and finish defects to the original consumer purchaser
- 5 year warranty if used in commercial installations

# Specifications

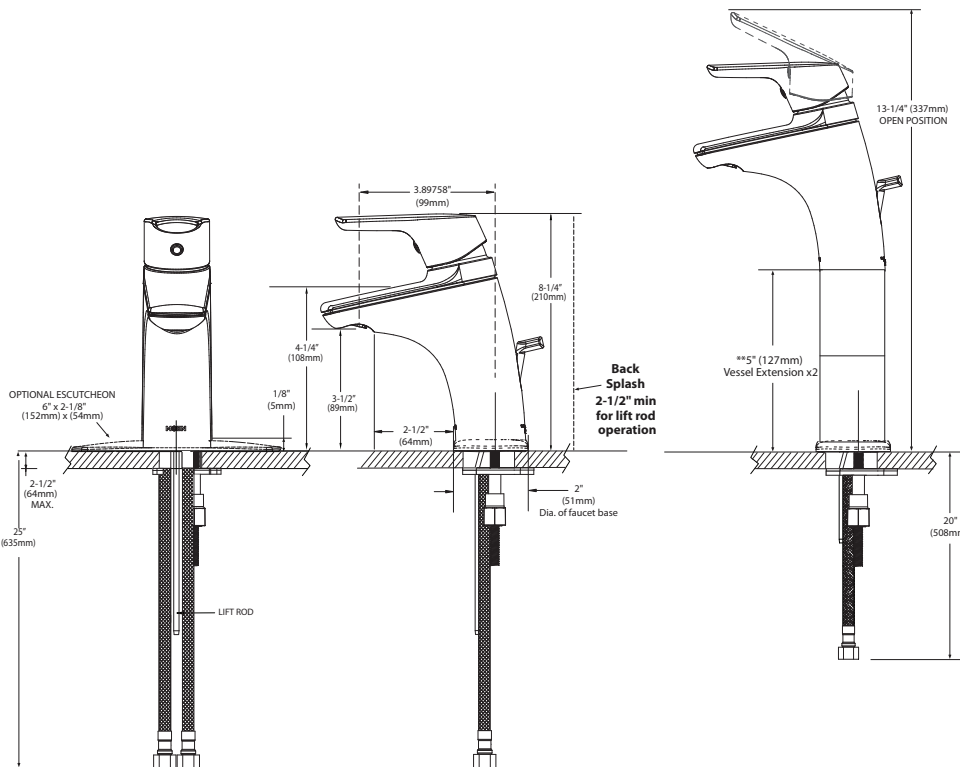


## METHOD™ Single-Handle Lavatory Faucet

**Models:** 6810 series  
with metal waste assembly

**Bulk Model:** 66810  
with 50/50 waste assembly

**NOTE:** THIS FAUCET IS DESIGNED TO BE INSTALLED THRU 1 HOLE, 1-1/8" MIN. DIA. \* USE A2020 EXTENSION KIT FOR VESSEL SINK APPLICATIONS



### CRITICAL DIMENSIONS

(DO NOT SCALE)



Buy it for looks. Buy it for life.®

# Specifications

## DESCRIPTION

- Metal construction with various finishes identified by suffix
- Includes metal or 50/50 waste assembly where noted
- Includes optional 3 hole deck plate (escutcheon)
- Flexible supplies with 3/8" compression fittings

## OPERATION

- Temperature controlled by 100° arc of handle travel


## FLOW

- Aerator is limited to 1.5 gpm (5.7 L/min) at 60 psi

## CARTRIDGE

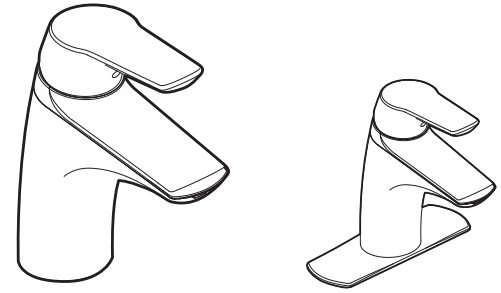
- 1255™ Duralast™ cartridge for Single-Handle Faucets

## STANDARDS

- Third party certified to WaterSense®, ASME A112.18.1/CSA B125.1 and all applicable requirements referenced therein
- Certified to NSF 61/9 & 372
- Complies with California Proposition 65 and with the Federal Safe Drinking Water Act
- **ADA**  for lever handles

## WARRANTY

- Lifetime limited warranty against leaks, drips and finish defects to the original consumer purchaser
- 5 year warranty if used in commercial installations

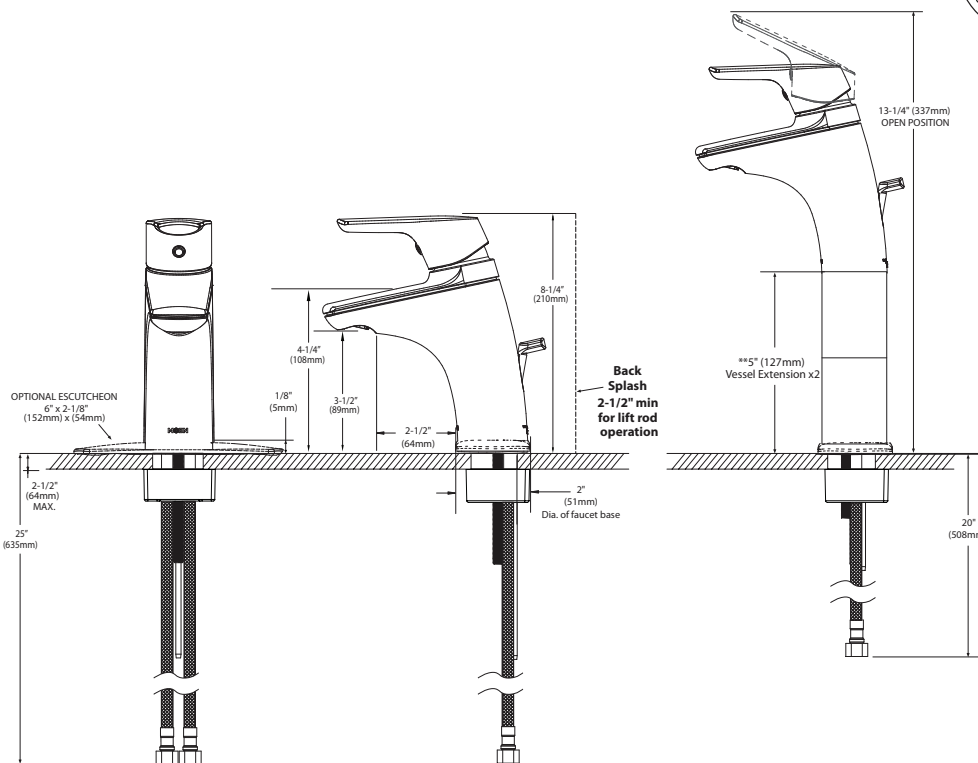


## METHOD™ Single-Handle Lavatory Faucet

**Models:** 6810 series  
with metal waste assembly

**Bulk Model:** 66810  
with 50/50 waste assembly

**NOTE:** THIS FAUCET IS DESIGNED TO BE INSTALLED THRU 1 HOLE, 1-1/8" MIN. DIA. \* USE A2020 EXTENSION KIT FOR VESSEL SINK APPLICATIONS



## CRITICAL DIMENSIONS

(DO NOT SCALE)