

Logis
Tube Spout with Diverter
 Finishes : **brushed nickel** Part no. : **71412821**



Description

Features

- Solid brass

Item details

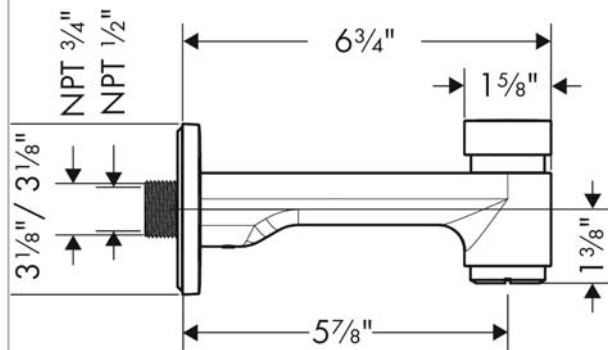
Compliance



Product image



Scale drawing



Logis

Tube Spout with Diverter

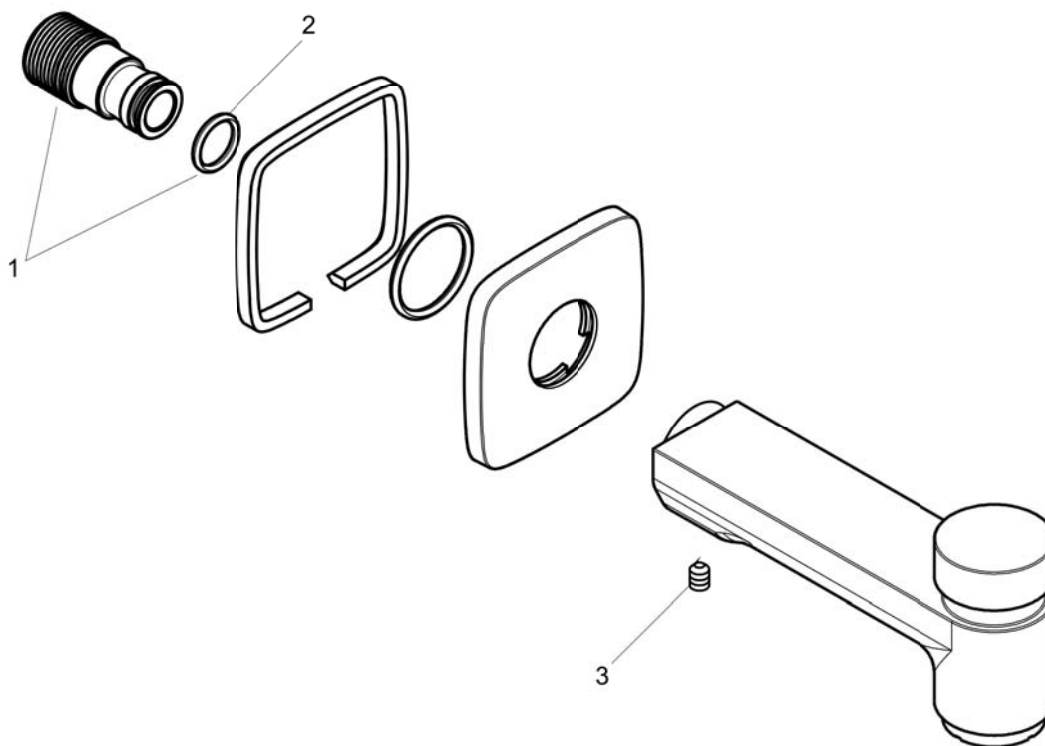
Finishes : **brushed nickel**

Part no. : **71412821**



Exploded drawing

Year of production: >01/16



Logis

Tub Spout with Diverter

Finishes : **brushed nickel**

Part no. : **71412821**



Spare parts list

Year of production: >01/16

Pos.	Description	Part no.	Price	PU
1	connecting thread	96472001	-	1
2	O-ring 16x2,5	98134000	-	1
3	hollow set screw M6x8	97810000	-	1