

INSTALLATION INSTRUCTIONS



DXV Belshire™ Wall Hung Toilet with Seat Model D23050A000.415

Thank you for selecting DXV. To ensure this product is installed properly, please read these instructions carefully before you begin. (Certain installations may require professional help.) Also be sure your installation conforms to local codes.

▲ CAUTION: PRODUCT IS FRAGILE. TO AVOID BREAKAGE AND POSSIBLE INJURY HANDLE WITH CARE!
NOTE: Pictures may not exactly define contour of china and components.

ALL INSTALLATION PROCEDURES MUST COMPLY IN STRICT ACCORDANCE WITH APPLICABLE LOCAL PLUMBING AND BUILDING CODES.

For rough-in dimensions, see spec page or web site

RECOMMENDED TOOLS AND MATERIALS

Most of the procedures require the use of common tools and materials, which are available from hardware and plumbing supply stores. It is essential that the tools and materials be on hand before work is begun.



Putty Knife



Adjustable Wrench



Sealant



Level



Tape Measure



Regular Screwdriver



Hacksaw



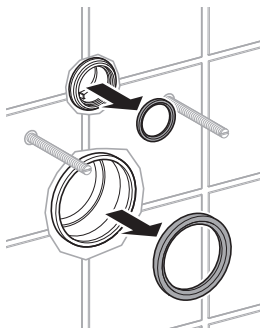
Closet Bolts



Flexible Supply Tube

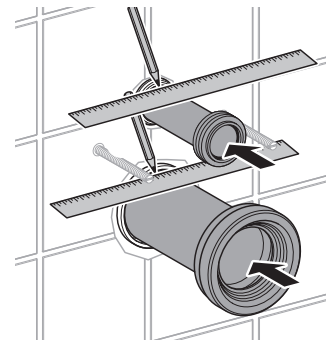
1 BOWL INSTALLATION:

Remove yellow protection plugs and seals from pipes.



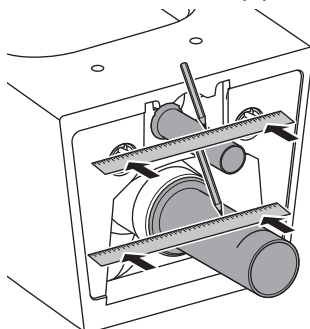
2

Insert discharge pipe into the pipe hub in the wall. Place a straight edge flush against the wall and mark a line on the pipe. Fit finned rubber seal onto flush pipe. Repeat same procedure for discharge pipe.



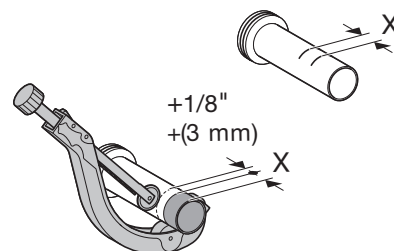
3

Place discharge pipe with gasket into waste outlet of bowl. Also place flush pipe with fin gasket into inlet of bowl. Then mark a second line on both pipes.



4

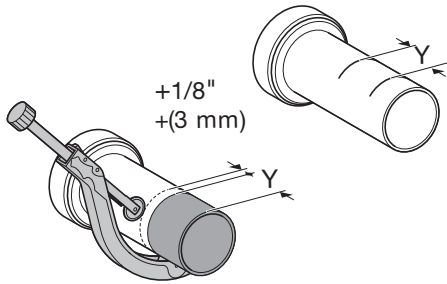
Add dimension X and 1/8" (3 mm). Using that dimension, mark a line on the pipe measuring from the hub side. Cut off the pipe at the line with a pipe cutter.



SAVE FOR FUTURE USE

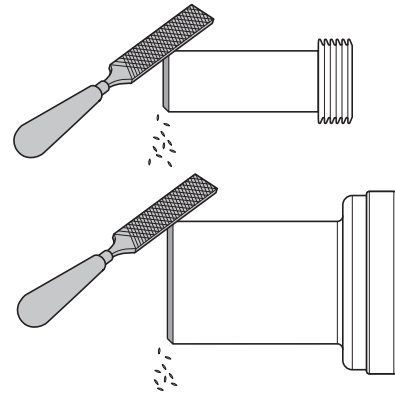
5

Add dimension Y and 1/8" (3 mm). Using that dimension, mark a line on the pipe measuring from the hub side. Cut off the pipe at the line with a pipe cutter.



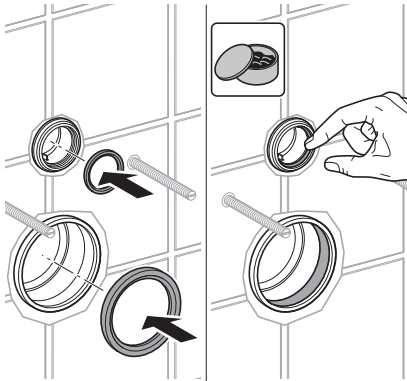
6

Bevel the sharp edges as shown to assure a smooth insertion into the pipe hubs in the wall.



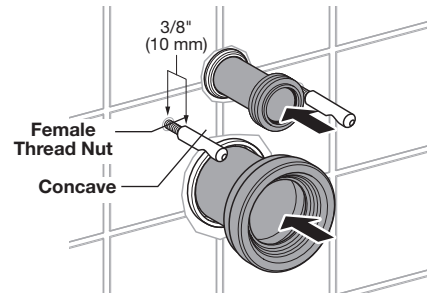
7

Install both seals into the pipes in the wall. Lubricate seals with appropriate rubber seal lubricant.



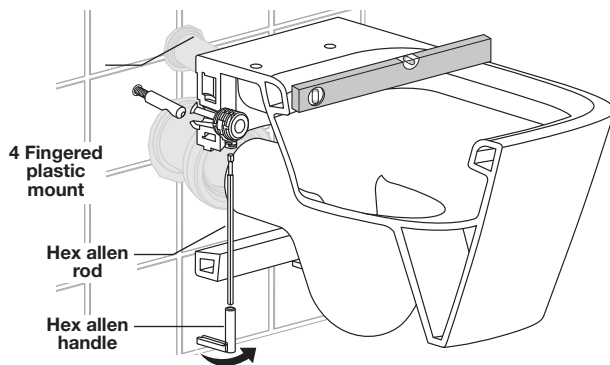
8

Remove protective sleeves from threaded mounting rods. Install rods with a protruding length of 1-3/8" (35 mm) from the finished wall. Then install the threaded nuts leaving approximately 3/8" (10 mm) of the threaded rod exposed. Also insure the concave portion of the nut is facing down! Install both pipes into the hubs in the wall.



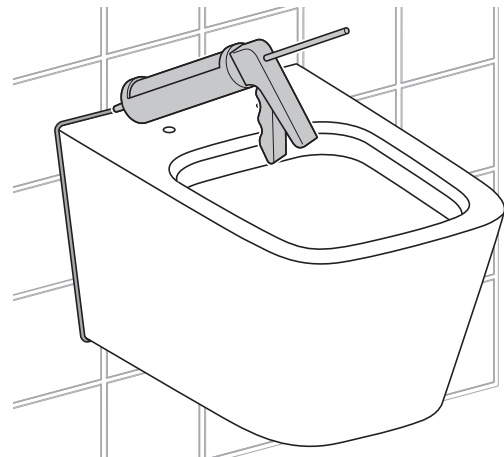
9

Ensure each of the pre-installed 4 fingered plastic mounts are securely mounted into each mounting hole of the toilet. Place bowl onto female threaded nuts and carefully insert bowl so the threaded female nuts go into the plastic finger housings mounted in the toilet. Once toilet is fully mounted into the female threaded nuts, turn the hex allen rod inserted into the plastic housing clockwise to tighten toilet into finished wall.



10

Seal gap around bowl with waterproof sealant.



COMPONENT NUMBER	DESCRIPTION
D23050A000.415	With seat
5020A156.415.	Seat
D29054026.000	Grohe In wall carrier
D28015000.415	Grohe dual flush plate
(for carrier repair parts please check carrier installation instructions)	

In the United States:

DXV
 One Centennial Avenue
 Piscataway, New Jersey 08855
 Attention: Director of Customer Care

For residents of the United States, warranty information may also be obtained by calling the following toll free number: (800) 227-2734
www.DXV.com

In Canada:

DXV
 5900 Avebury Road
 Mississauga, Ontario
 L5R 3M3
 Canada

Toll Free: 1-800-387-0369
 Local: 905-306-1093
 Fax: 1-800-395-1498
www.DXV.ca

In Mexico:

DXV
 Via Morelos 330
 Col. Santa Clara Coatitla
 Ecatepec, Estado de México 55540

Toll Free: 01-800-8391200
www.DXV.mx