

Tecturis S
Freestanding Tub Filler with 1.75 GPM Handshower
 Finish: **Chrome** Part no. : **73440001**



Description

Features

- Consists of: Freestanding Tub Filler, baton handshower, handshower hose, handshower holder
- Spray type faucet: Aerated spray
- Spray type handshower: Rain, MonoRain
- Flow rate for tub spout : 5.3 GPM
- Flow rate of handshower : 1.75 GPM
- Ceramic cartridge
- Pressure diverter Select with automatic resetting
- Integrated backflow prevention

Item details

List Price \$ 2,600.00

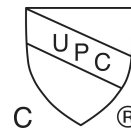
Technology



Design awards



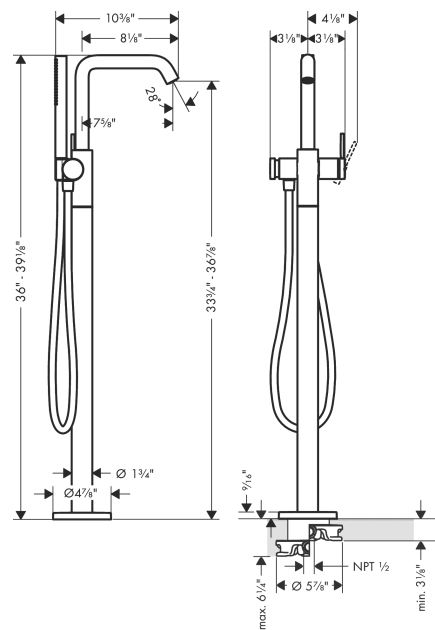
Compliance / Sustainability



Product image



Scale drawing

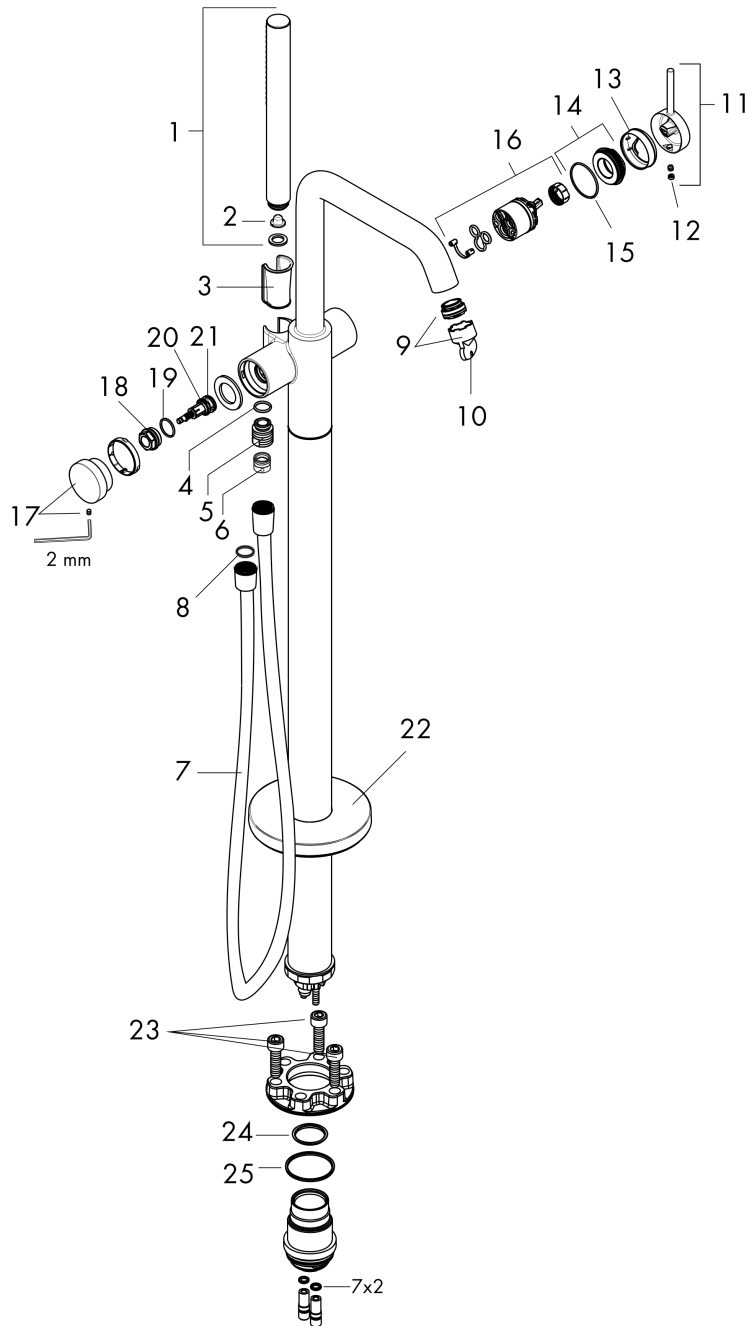


Tecturis S
Freestanding Tub Filler with 1.75 GPM Handshower
 Finish: **Chrome** Part no. : **73440001**



Exploded drawing

Year of production: >04/24



Tecturis S
Freestanding Tub Filler with 1.75 GPM Handshower
 Finish: **Chrome** Part no. : **73440001**



Spare parts list

Year of production: >04/24

Pos.	Description	Part no.	Price	PU
1	handshower	04486000	-	1
2	filter packing	94246000	-	1
3	guide	92858000	-	1
4	O-ring 14x2	98129000	-	1
5	connecting thread	95392000	-	1
6	non return valve	97980000	-	1
7	shower hose Isiflex'B 1,60 m	28276000	-	1
8	seal	98058000	-	1
9	aerator M24x1 (38 l/min)	93965000	-	1
10	housing	94809000	-	1
11	handle	87120000	-	1
12	screw cover	93735460	-	1
13	escutcheon	87121000	-	1
14	nut	93995000	-	1
15	O-ring 35x1,5	92114000	-	1
16	cartridge, assy	93895000	-	1
17	pushbutton	94369000	-	1
18	nut	94367000	-	1
19	O-ring 17x1,5	98137000	-	1
20	O-ring 12x1,5	98430000	-	1
21	O-ring 15x1,5	92118000	-	1
22	escutcheon	94038000	-	1
23	hexagon socket screw M10x35	97670000	-	1
24	O-ring 29x3	98371000	-	1
25	O-ring 44x2,5	98162000	-	1
a	extension set 60 mm	93882000	-	1
b	base body	10452181	-	1