

INSTALLATION INSTRUCTIONS

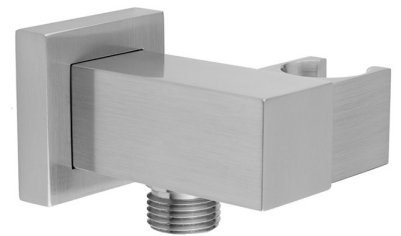
Water Supply Elbows with Handshower Holder Part #'s: 6457/6458/8757



6457



6458



8757

*NOTE: Conical end of hose fits into holder.

6457 - Fork should be on the rise, not low as shown above.

6458 - Opening should be to the rear as shown above.

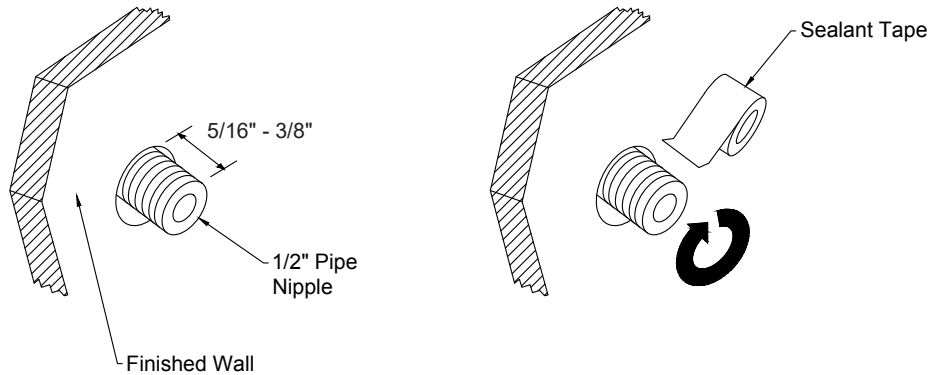
8757 - Wider opening on holder should be on top as shown above.

PARTS NEEDED

1. Sealant Tape
2. Strap Wrench (If Required)

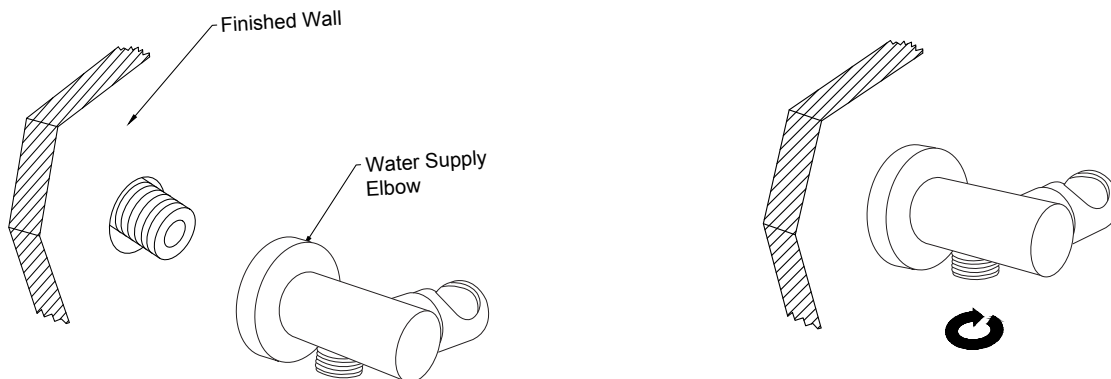
PIPE NIPPLE INSTALLATION

1. Install a 1/2" NPT pipe nipple so that it extends 5/16" to 3/8" beyond the finished wall when fully tightened.
2. Run water through the system to flush out dirt and debris.
3. Wrap sealant tape twice on the threads CLOCKWISE following the direction of the threading tightening the tape down into the threading.



SUPPLY ELBOW INSTALLATION

1. Install gasket, if applicable, into back of the escutcheon.
2. Slide the escutcheon onto the supply elbow.
3. Thread the supply elbow onto the 1/2" pipe nipple.
4. Tighten the water supply elbow using a clean strap wrench.
5. Press the escutcheon against the finished wall.
6. If desired, wrap sealant tape twice on the threads of the water supply elbow CLOCKWISE following the direction of the threading tightening tape down into the threading.



To learn more about JACLO's warranty, please visit [**jaclo.com**](http://jaclo.com)