



### Features

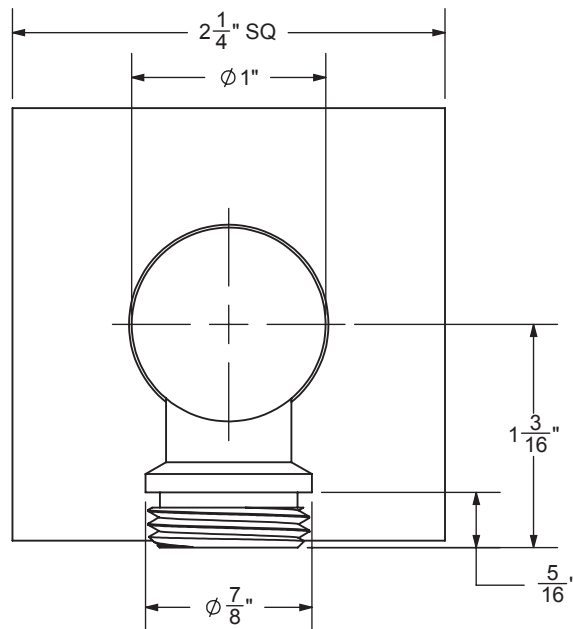
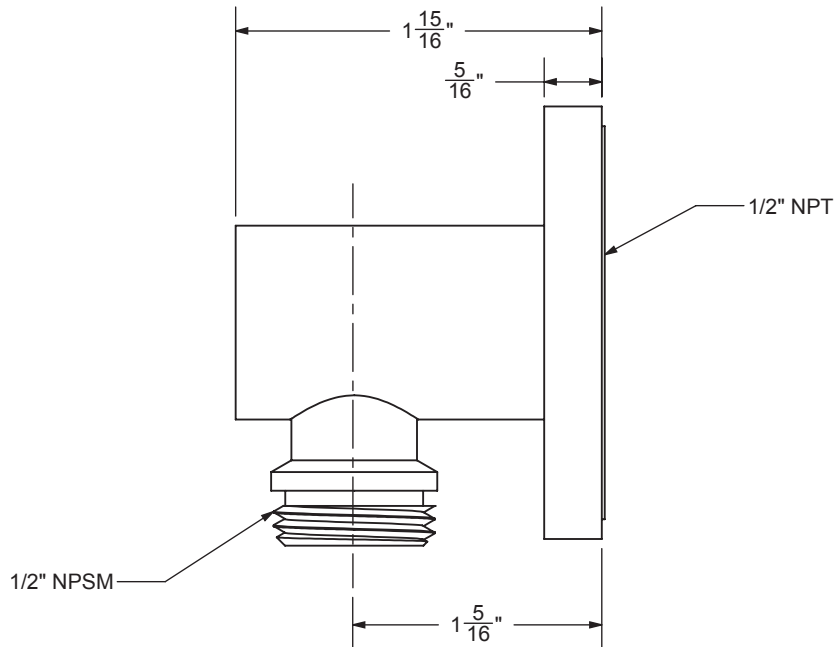
- Over 30 finishes including 13 PVD finishes
- All brass construction
- 1/2" NPT (female) inlet connection
- 1/2" NPSM (male) outlet connection

# SH-10-77



### Codes/Standards Applicable

- Product meets or exceeds the following:
- ASME A112.18.1/CSA B125.1

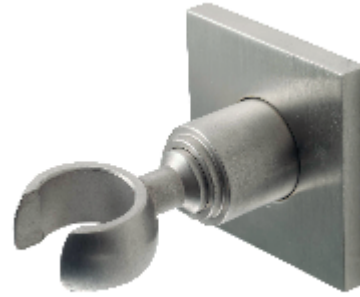




SH-20-77

### Features

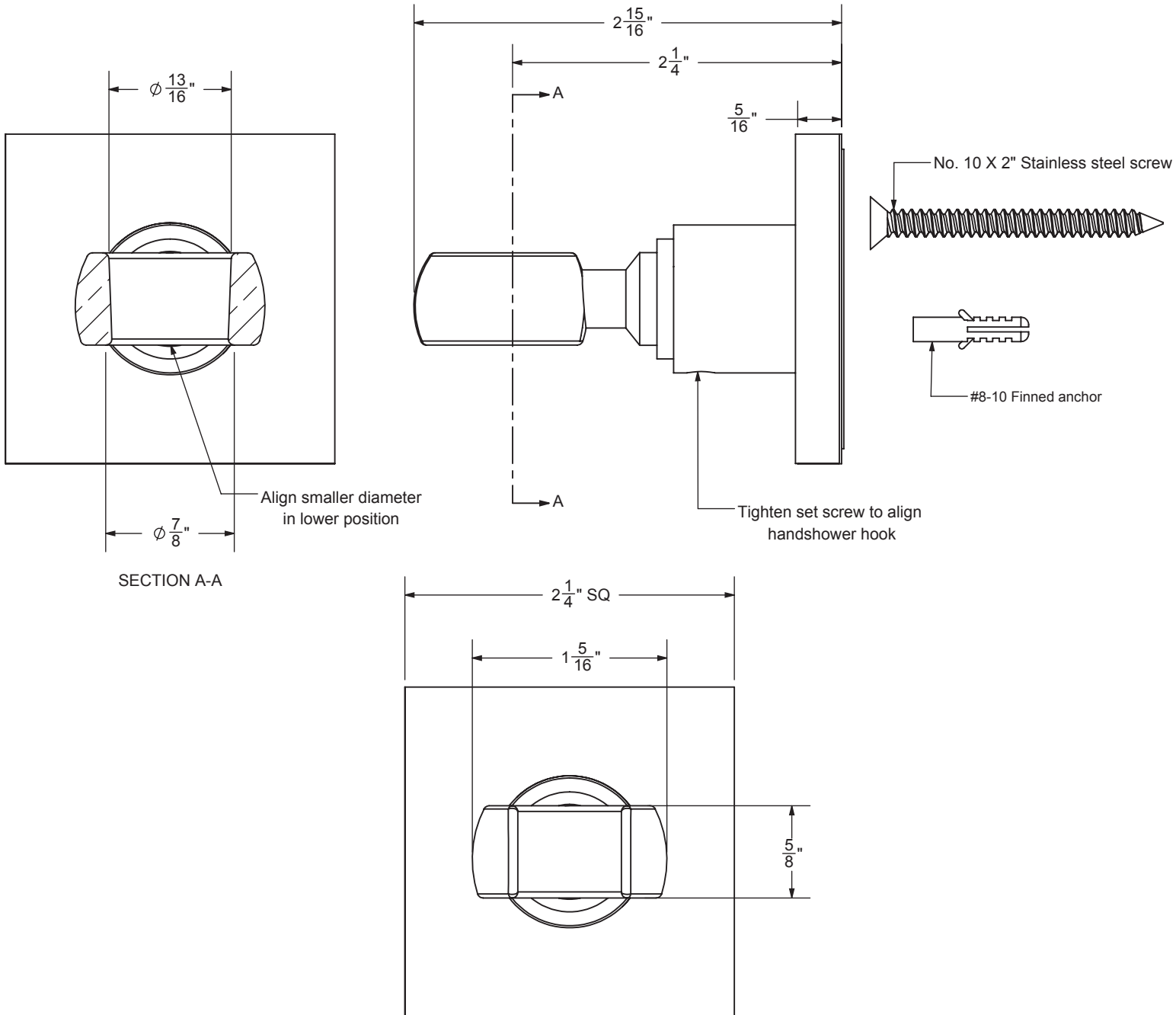
- Over 30 finishes including 13 PVD finishes
- All brass construction
- All mounting hardware included
- Accepts most conical handshower hoses



### Codes/Standards Applicable

Product meets or exceeds the following:

- ASME A112.18.1/CSA B125.1





California Faucets®

# Handshower

HANDSHOWER HOSE

## Features

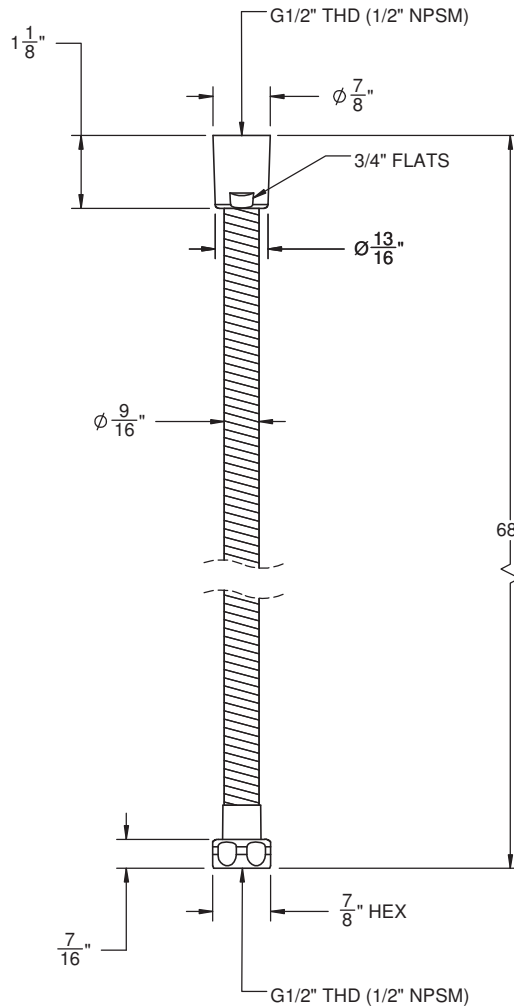
- 1/2" FIP inlet
- 1/2" FIP outlet
- Double spiral out hose for added strength
- Solid brass construction
- Over 30 finishes include 16 PVD finishes

## Codes/Standards Applicable

Meets or exceeds the following at date of manufacture:

- ASME A112.18.1/CSA B125.1

HS-68



ALL DIMENSIONS SHOWN TO NEAREST 1/16"