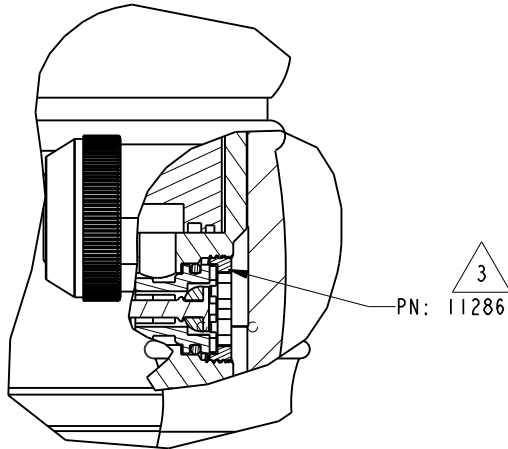
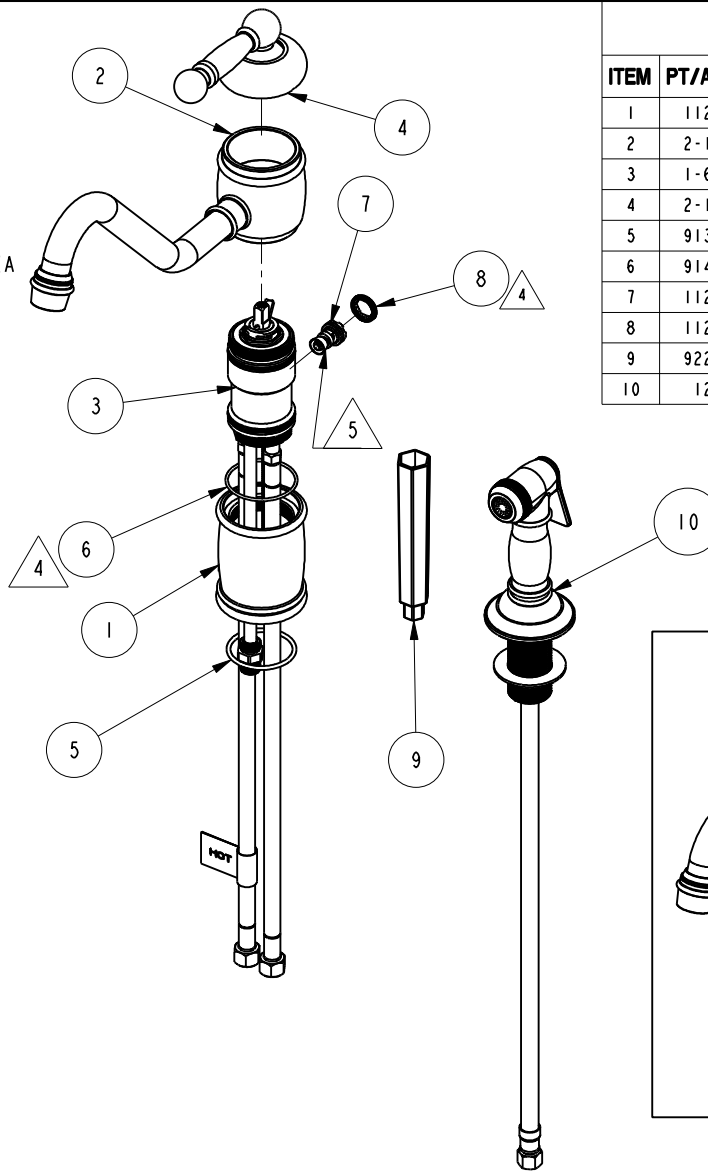


NOTES:

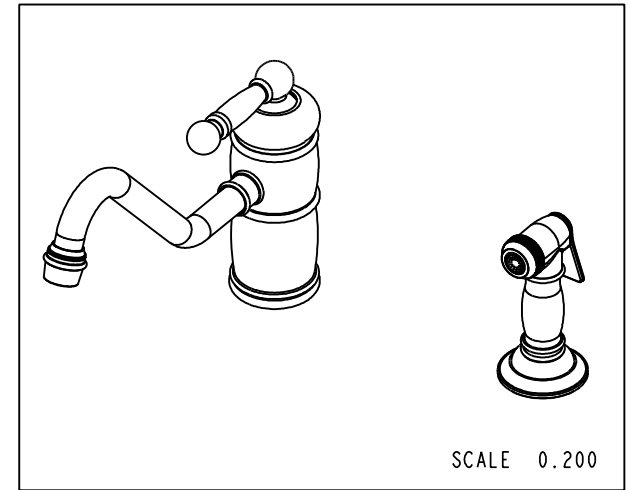
- (N1) 1. FIT / FORM / FUNCTION SHALL FOLLOW PS-E.008.
- (N2) 2. PACKAGE ITEMS 1, 2, AND 6 IN A BAG.
- (N3) 3. INSTALL PN: 11286 AS SHOWN.
- 4. SLIT THIS TEFLON O-RING BEFORE ASSEMBLE.
- 5. USE SILICON GREASE TO LUBRICATE THIS AREA OF DIVERTER BEFORE INSTALL.

BILL OF MATERIAL (CURRENT LEVEL)

ITEM	PT/ASSY	DESCRIPTION	TYPE	QTY.
1	11291	POST SLEEVE	PART	1
2	2-175	SPOUT ASM, 940/941	ASSEMBLY	1
3	1-625	VALVE BODY, ASM	ASSEMBLY	1
4	2-176	ASSY, HANDLE, SINGLE LEVER	ASSEMBLY	1
5	91362	O-RING, #2-130, EPDM, 65-75 DURO	PART	1
6	91413	O-RING, #2-031, PTFE, D55 DURO	PART	1
7	11208	DIVERTER	ASSEMBLY	1
8	11286	RETAINER RING	PART	1
9	92297	INSTALLATION TOOL, WRENCH	PART	1
10	129	KITCHEN SPRAY HEAD	ASSEMBLY	1



SCALE .750



SCALE 0.200

ZONE	REV	DESCRIPTION	DATE	APPROVED
-	J	EN-2643	01/15/16	J.M
-	H	EN-2119	07/23/12	-
-	G	EN-1287	07/23/09	-
-	F	EO-0609	12/07/05	-
-	E	EO-0564	09/12/05	-
-	D	EO-0449	EO-0449	-
-	C	EO-0443	EO-0443	-

COPYRIGHT 2005 BRASSTECH, INC. THESE DRAWINGS AND THE DESIGNS DEPICTED HEREIN ARE THE PROPRIETARY PROPERTY OF BRASSTECH. ANY USE OR REPRODUCTION IS SUBJECT TO THE EXPRESS APPROVAL OF BRASSTECH. UNAUTHORIZED USE IS STRICTLY PROHIBITED. ALL RIGHTS RESERVED.

TESTING	ASSEMBLY	PLATING	POLISHING	MACHINING	TOOLING FIXTURE #	APPLICATION	REMOVE ALL BURRS AND SHARP EDGES
-	-	-	-	-	-	-	-
-	-	-	-	-	-	-	-
-	-	-	-	-	-	-	-
-	-	-	-	-	-	-	-
-	-	-	-	-	-	-	-
-	-	-	-	-	-	-	-

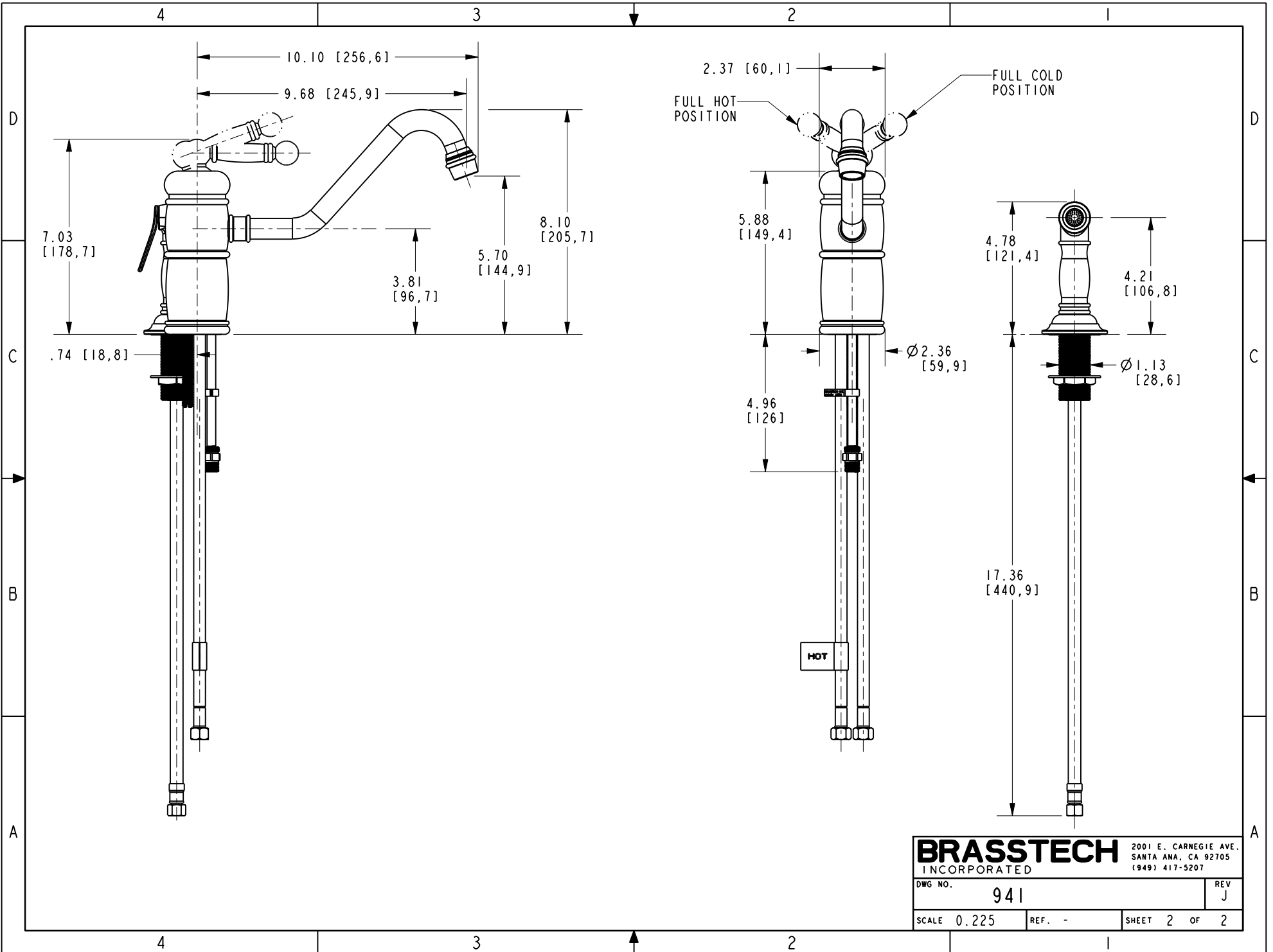
UNITS ARE: INCHES [MM]	TOLERANCES ARE:	FRACTIONS DECIMALS	ANGLES
		$\pm 1/16"$	$\pm 1"$
		.X $\pm .1$ [2,5]	
		.XX $\pm .06$ [1,5]	
X.XXX DENOTES CRITICAL DIMS. ALL THREADS ARE CRITICAL			
DRAWN		AMARISH	01/12/16
CHECKED		RAVINDRA	01/12/16
APPROVED		J.M	01/15/16

BRASSTECH 2001 CARNEGIE AVE. SANTA ANA, CA 92705 (949) 417-5207
INCORPORATED

KIT W/SPRAY - SINGLE LEVER

DWG NO. **941** REV **J**

SCALE 0.200 REF. - SHEET 1 OF 2



BRASSTECH		2001 E. CARNEGIE AVE. SANTA ANA, CA 92705 (949) 417-5207	
DWG NO.	941	REV	J
SCALE 0.225	REF. -	SHEET 2 OF 2	