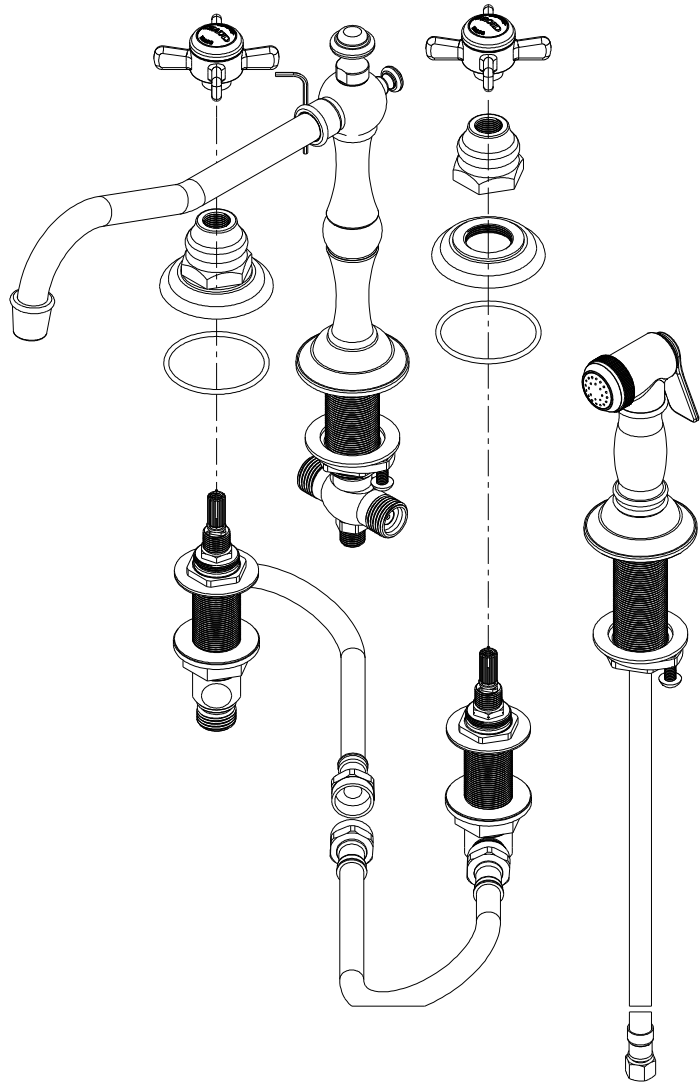


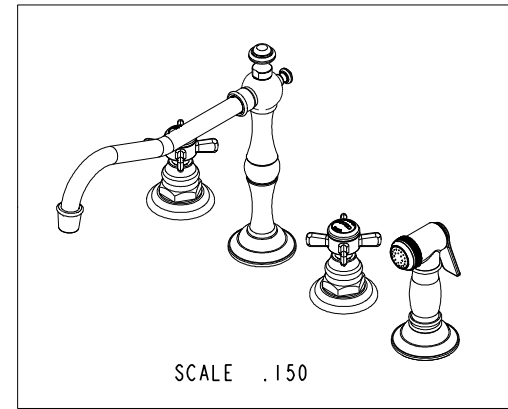
NOTES:

1. TO INSPECT ASSEMBLY, FOLLOW FIRST ARTICLE AND IN PROCESS INSPECTION SHEET.



BILL OF MATERIAL (CURRENT LEVEL)

ITEM	PT/ASSY	DESCRIPTION	TYPE	QTY.
1	10048	ESCUTCHEON W/S VALVE	PART	2
2	10523	HEX ESCUTCHEON BONNET	PART	2
3	2-174	SPOUT ASM - 943	ASSEMBLY	1
4	129	KITCHEN SPRAY HEAD	ASSEMBLY	1
5	2-115	THIN BLADE X - HANDLE COLD	ASSEMBLY	1
6	2-114	THIN BLADE X - HANDLE HOT	ASSEMBLY	1
7	1-541	VALVE KIT - 943	ASSEMBLY	1
8	91753	O-RING, # 2-136, EP, 50 DURO - GREY	PART	2



ZONE	REV	DESCRIPTION	DATE	APPROVED
-	F	EN-4300gg	03/04/21	R. S.
-	E	EN-3777	01/08/19	J. A.
-	D	EN-2334	12/27/12	A. N.
-	C	EO-0449	11/11/04	-
-	B	EO-0443	11/02/04	-

COPYRIGHT 2005 BRASSTECH, INC. THESE DRAWINGS AND THE DESIGNS DEPICTED HEREIN ARE THE PROPRIETARY PROPERTY OF BRASSTECH. ANY USE OR REPRODUCTION IS SUBJECT TO THE EXPRESS APPROVAL OF BRASSTECH. UNAUTHORIZED USE IS STRICTLY PROHIBITED. ALL RIGHTS RESERVED.

TESTING	-	-	-
ASSEMBLY	-	-	-
PLATING	-	-	-
POLISHING	-	NEXT ASSY	USED ON
MACHINING	-	APPLICATION	
TOOLING FIXTURE #	REMOVE ALL BURRS AND SHARP EDGES		

UNITS ARE: INCHES [MM]
TOLERANCES ARE:
FRACTIONS DECIMALS ANGLES
±1/16" .X ±.1 [2.5] ±1°
.XX ±.06 [1.5]

(X.XXX) DENOTES CRITICAL DIMS.
ALL THREADS ARE CRITICAL

DRAWN	-	-
CHECKED	-	-
APPROVED	-	-

BRASSTECH 2001 CARNEGIE AVE.
INCORPORATED SANTA ANA, CA 92705
(949) 417-5207

KITCHEN FAUCET WITH SPRAY

DWG NO. **946** REV **F**

SCALE .250 REF. - SHEET 1 OF 2

