

Assembly & Installation Instructions

A196

For Pendant 18-791 & 18-793

Page 1 of 5

CAUTION: FAILURE TO INSTALL THIS FIXTURE PROPERLY MAY RESULT IN SERIOUS PERSONAL INJURY OR DEATH AND PROPERTY DAMAGE. We recommend installation by a licensed electrician.

This product must be installed in accordance with applicable installation code(s), by a person familiar with the construction and operation of the product and the hazards involved.*

Caution: Do not exceed maximum wattage noted on fixture. Use only recommended bulbs with fixture.

Stem Assembly (Figures 1 & 2)

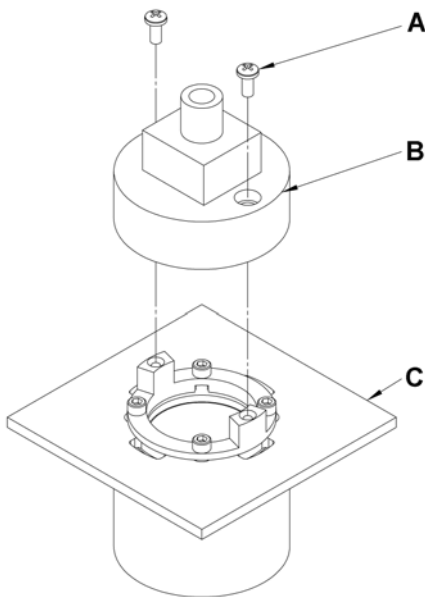
Component Parts

- A 8-32 Screw (2)
- B Top Assembly
- C Bottom Assembly
- D Fixture Pipe
- E Fixture Coupling

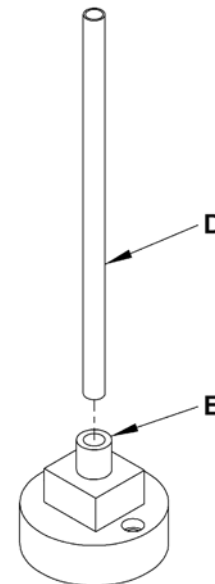
1. Carefully unpack the fixture from the carton.
2. Remove two 8-32 screws (A) from top assembly (B) to separate from bottom assembly (C). Place bottom assembly (C) and two 8-32 screws (A) to the side for later use.
3. Carefully thread fixture pipe (D), threaded end first, over fixture wires.
4. Apply a drop of the supplied thread locking compound to the internal threads of the fixture coupling (E) and screw stem into fixture, being careful not to twist the wires.

Note: Application of the thread locking compound is necessary to prevent the stem from loosening during regular maintenance and cleaning of the fixture. Be certain to apply the compound.

5. See instructions below to complete the installation.



(Figure 1)



(Figure 2)

(continued)

Assembly & Installation Instructions

For Pendant 18-791 & 18-793

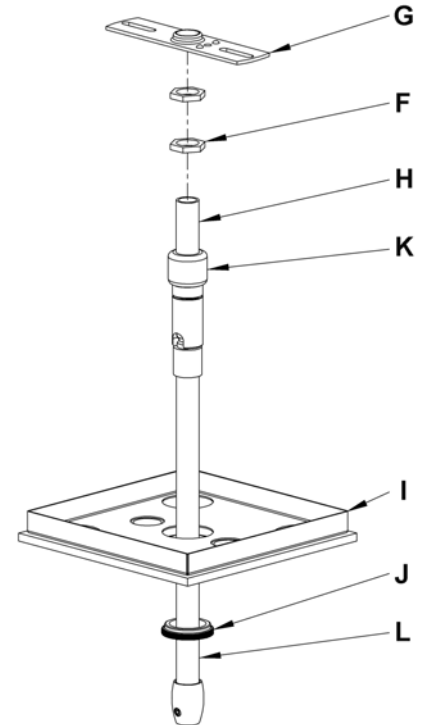
A196

Page 2 of 5

Prepare the Canopy (Figure 3)

Component Parts

- F Jam Nuts (2)
- G Crossbar
- H Threaded Nipple
- I Canopy
- J Canopy Ring
- K Coupling
- L Canopy Pipe



(Figure 3)

Caution: Be sure power is off at the main breaker box prior to installation.

1. Thread Jam Nuts (F) and Crossbar (G) onto threaded nipple (H) leave both parts loose.
2. Using two machine screws (not provided), temporarily fasten the crossbar (G) to the electric box. **Note:** A new electric box comes with screws. When replacing a fixture, retain the existing screws for use with the new fixture.
3. Adjust the length of Threaded Nipple (H) in crossbar (G) so that Canopy Ring (J) will hold Canopy (I) against the ceiling with no threads showing for best appearance. When the correct adjustment is established, tighten Jam Nuts (F) against crossbar (G) to hold the adjustment.
4. Remove the crossbar and stem from the electrical box and proceed with the assembly instructions.

Complete Assembly and Install (Figures 4 & 5, next page)

Component Parts

- D Fixture Pipe
- F Jam Nut
- G Crossbar
- H Threaded Nipple
- I Canopy
- J Canopy Ring
- L Canopy Pipe
- M Plastic Clutch Sleeve
- N Clutch
- O Set Screw

Caution: Be sure power is off at the main breaker box prior to installation.

1. Thread crossbar (G) onto threaded nipple (H) until tight against jam nuts (F).
2. Unscrew the clutch (N) from the canopy pipe (L); slide it across the wires and onto the fixture pipe (D). Follow this with the plastic clutch sleeve (M), oriented so the tapered end of the clutch sleeve nests in the clutch (Figure 4).
3. Thread wires from the fixture pipe (D) through the canopy pipe (L).
4. Slide the canopy pipe (L) as far as necessary to give you the total length of the fixture which you desire. Be careful not to scratch the pipe surfaces and to pull excess wire up through the canopy pipe (L). There must be a minimum 1-1/2" of inner pipe inside the outer pipe. Screw clutch (N) onto canopy pipe and hand-tighten the clutch to temporarily hold this adjustment. The clutch is not securely fastened at this point; do not depend on it to hold the fixture. **Important:** To ensure full connection strength, be sure the tapered end of the plastic clutch sleeve is oriented toward the clutch when assembled and securely tighten set screw (Figure 4).
5. Using two machine screws (not provided), fasten the crossbar to the electric box. **Note:** A new electric box comes with screws. When replacing a fixture, retain the existing screws for use with the new fixture.

(continued)

Assembly & Installation Instructions

For Pendant 18-791 & 18-793

A196

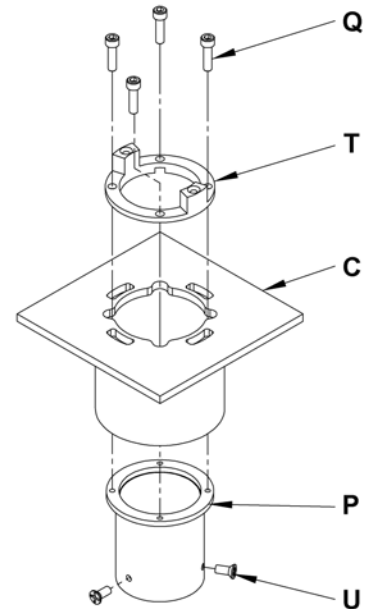
Page 4 of 5

To Assemble Glass or Screen Option (Figures 6 & 7)

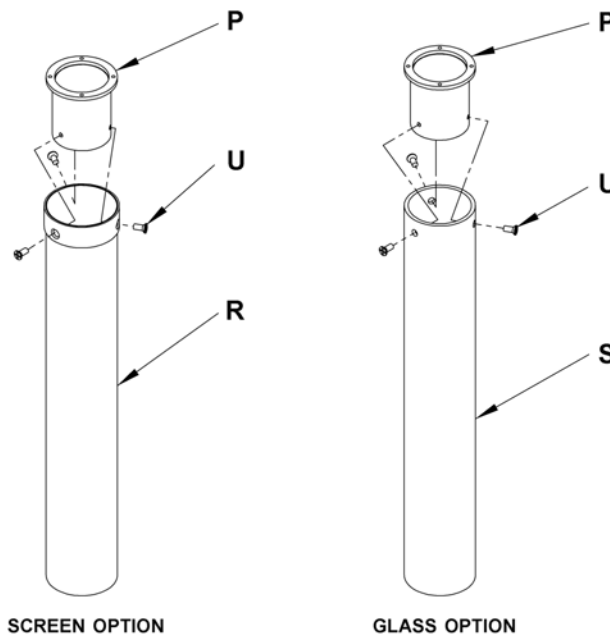
Component Parts

- C Bottom Assembly
- P Tube Assembly
- Q 6-32 Screws (4)
- R Screen
- S Glass Tube
- T Retainer
- U Flat Head Screws (3)

1. Remove tube assembly (P) from bottom assembly (C) by removing four 6-32 screws (Q) and separating tube assembly (P) from retainer (T). Set all parts to the side for later use (Figure 6).
2. Remove flat head screws (U) from tube assembly (P) and set aside for later use.
3. Thread screws (U) through either screen (R) or glass tube (S) depending on option purchased and into tube assembly (P).
4. Tighten the three screws (U) equally into tube assembly so that screen or glass is centered.



(Figure 6)



(Figure 7)

(continued)

Assembly & Installation Instructions

For Pendant 18-791 & 18-793

A196

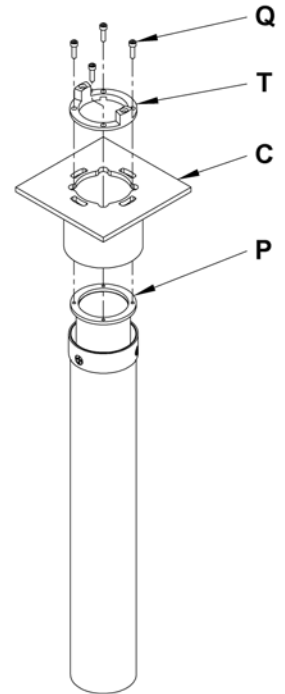
Page 5 of 5

To Assemble Bottom (Figure 8)

Component Parts

- A Bottom Assembly
- P Tube Assembly
- Q 6-32 Screws (4)
- T Retainer

1. Slip 6-32 screw (Q) through retainer (T) and bottom assembly (C). Thread screws (Q) into tube assembly (P) and tighten with supplied Allen wrench.



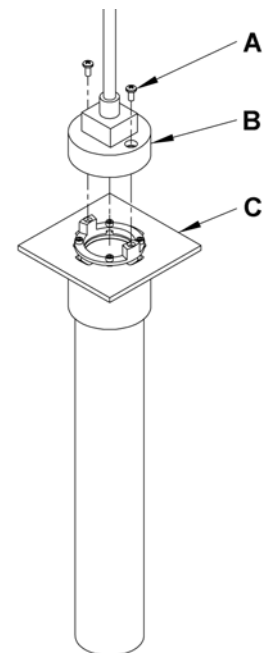
(Figure 8)

To Install Glass or Screen Option & Bulb (Figure 9)

Component Parts

- A 8-32 Screw (2)
- B Top Assembly
- C Bottom Assembly

1. Install light bulb (not included).
2. Install 8-32 screw (A) through top assembly (B) and thread into bottom assembly (C). To replace bulb the two 8-32 (A) screws are removed to separate bottom assembly from top assembly.
3. Restore electricity at main breaker.



(Figure 9)

If you need further assistance, or find that you are missing any parts, please contact the dealer from which you purchased this product. We hope you enjoy your fixture!

* Hubbardton Forge will not be liable for injury or damage caused by improper installation, lamping or use of this fixture.