

Installation Instructions

A204

For Outdoor Chain Hung Fixture 36-6007

Page 1 of 2

CAUTION: FAILURE TO INSTALL THIS FIXTURE PROPERLY MAY RESULT IN SERIOUS PERSONAL INJURY OR DEATH AND PROPERTY DAMAGE. We recommend installation by a licensed electrician.

This product must be installed in accordance with applicable installation code(s), by a person familiar with the construction and operation of the product and the hazards involved.*

Caution: Do not exceed maximum wattage noted on fixture. Use only recommended bulbs with fixture.

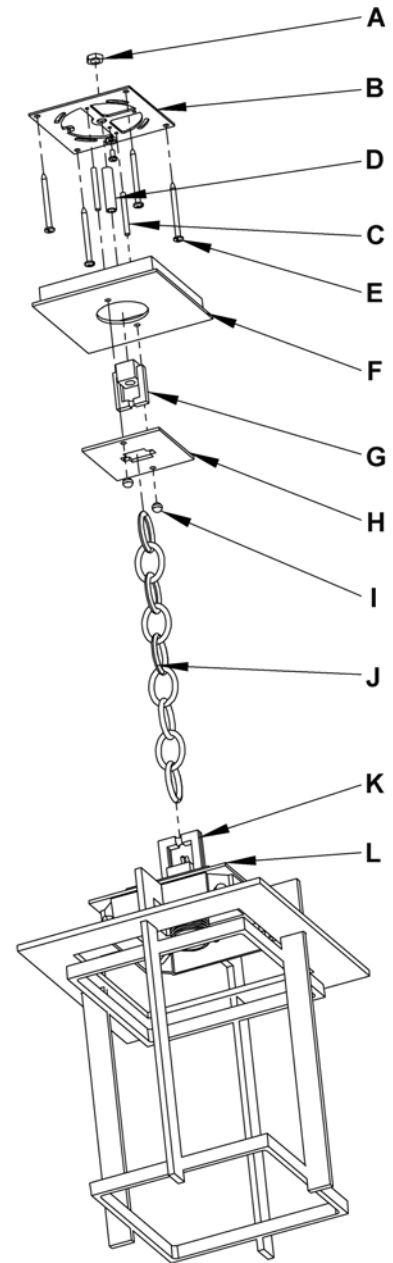
To Install Fixture (Figure 1)

Component Parts

A	Lock Nut	G	Canopy Loop
B	Crossbar	H	Cover Plate
C	Threaded Stud (2)	I	Knurl Ball (2)
D	Nipple	J	Chain
E	Wood Screws (4)	K	Fixture Loop
F	Canopy	L	Fixture Top

Caution: Be sure power is off at the main breaker box prior to installation

1. Carefully unpack the fixture from the carton.
2. Thread studs (C) through appropriate holes in crossbar (B) to match holes in canopy (F).
3. Thread the nipple (D) into the crossbar (B) and secure with lock nut (A).
4. Attach one end of the chain to the fixture loop (K). Lace the wire through every other link of the chain (J) to the end.
5. Slide cover plate (H) and canopy (F) over chain (J) until they rest against fixture top (L).
6. Fasten the chain to the canopy loop (G) and slip wires through the canopy loop (G) and nipple (D). Make sure to provide enough slack in the wire to ensure weight of fixture is supported by the chain.
7. Raise fixture to ceiling and using at least two wood screws (E) attach cross bar (B) to a structural member in the ceiling, centering the crossbar over the outlet box. We've supplied wood screws with your fixture; however, different materials and/or construction methods may require different fasteners. If in doubt, contact a qualified electrician. Do not attach crossbar directly to outlet box.
8. Using suitable wire connectors (not provided) connect fixture wires to supply wires (white to ribbed side of the fixture cord, black to smooth side). Connect all ground wires to crossbar using ground screw. **Caution:** Make sure wire connectors are twisted on securely, and no bare wire is exposed.
9. Slide canopy (F) and cover plate (H) over threaded studs (C) and push firmly to ceiling, making sure that no wires are pinched between fixture canopy and ceiling. Fasten with knurled balls (I). Be sure studs (C) are fully seated in the knurled balls (I).
10. Install glass (see instructions following).



(Figure 1)

(continued)

Installation Instructions

For Outdoor Chain Hung Fixture 36-6007

A204

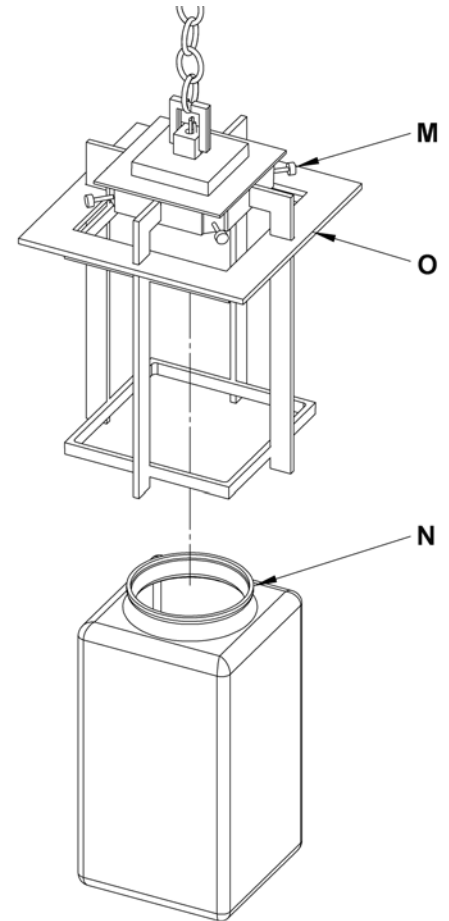
Page 2 of 2

To Install Glass (Figure 2)

Component Parts

- M Screws (4)
- N Glass
- O Fixture

1. Loosen the four screws (M) installed in fixture (O) until there is only a couple threads engaged in fixture (O).
2. Slip glass (N) into fixture (O) until it stops.
3. Tighten all four screws (M) until they are snug against glass (N).
Be careful not to over tighten.
4. Restore electricity at main breaker.



(Figure 2)

If you need further assistance, or find that you are missing any parts, please contact the dealer from which you purchased this product. We hope you enjoy your fixture!

* Hubbardton Forge will not be liable for injury or damage caused by improper installation, lamping or use of this fixture.