

Assembly & Installation Instructions

For Ribbon Chandelier 19-415612HG

A238

Page 1 of 3

CAUTION: FAILURE TO INSTALL THIS FIXTURE PROPERLY MAY RESULT IN SERIOUS PERSONAL INJURY OR DEATH AND PROPERTY DAMAGE. We recommend installation by a licensed electrician.

This product must be installed in accordance with applicable installation code(s), by a person familiar with the construction and operation of the product and the hazards involved.*

Caution: Do not exceed maximum wattage noted on fixture. Use only recommended bulbs with fixture.

Install the Canopy (Figure 1)

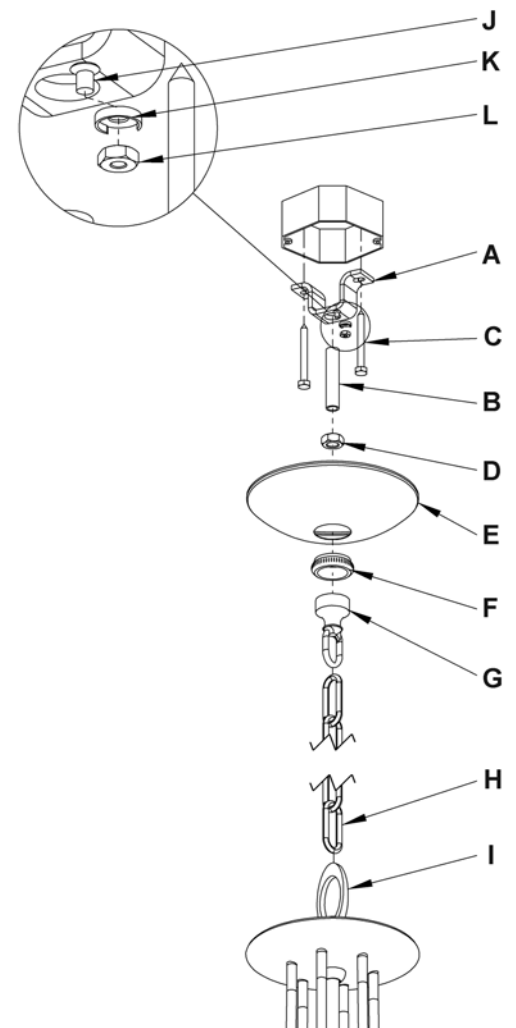
Component Parts

A	Crossbar	E	Canopy	I	Fixture Loop
B	Threaded Nipple	F	Loop Collar	J	Ground Screw
C	Lag Screw (2)	G	Threaded Loop	K	Cupped Washer
D	Lock Nut	H	Chain	L	Hex Nut

Caution: Be sure power is off at the main breaker box prior to installation.

Caution: This fixture must be supported independently of an outlet box. Crossbar is designed to fit in the bottom of a standard metal 4" octagonal outlet box.

1. Drill two holes through the back of the outlet box and using two lag screws (C) attach cross bar (A) to a structural member in the ceiling, centering the crossbar in the outlet box. We've supplied lag screws with your fixture; however, different materials and/or construction methods may require different fasteners. If in doubt, contact a qualified electrician.
2. Thread the nipple (B) into the crossbar (A).
3. Thread lock nut (D) and threaded loop (G) onto nipple, then place canopy (E) over threaded loop and adjust nipple length to ensure a snug canopy fit. Once the length is determined, set the canopy aside and lock nipple position by tightening the locknut (D) against the crossbar (A).
4. Attach one end of the chain (H) to the fixture loop (I).
5. Attach the other end of the chain to the threaded loop (G) and thread the fixture wires through every other link of the chain (H) and up through the threaded loop (G) and nipple (B) into the outlet box.
6. Using suitable wire connectors (not provided), connect fixture wires to supply wires (white or ribbed side of fixture cord to white supply, black or smooth side of fixture cord to black supply, and bare copper to bare copper or green supply). Ground the crossbar (A) using the ground screw (J), cupped washer (K) and hex nut (L) to secure a pigtail lead to the crossbar. Push wires back into outlet box.
Caution: Make sure wire connectors are twisted on securely, and no bare wire is exposed.
7. Slide the canopy up the chain and over the threaded loop (G), securing with loop collar (F). Make sure no wires are pinched between the canopy (E) and the ceiling or crossbar (A).



(Figure 1)

(continued)

Assembly & Installation Instructions

For Ribbon Chandelier 19-415612HG

A238

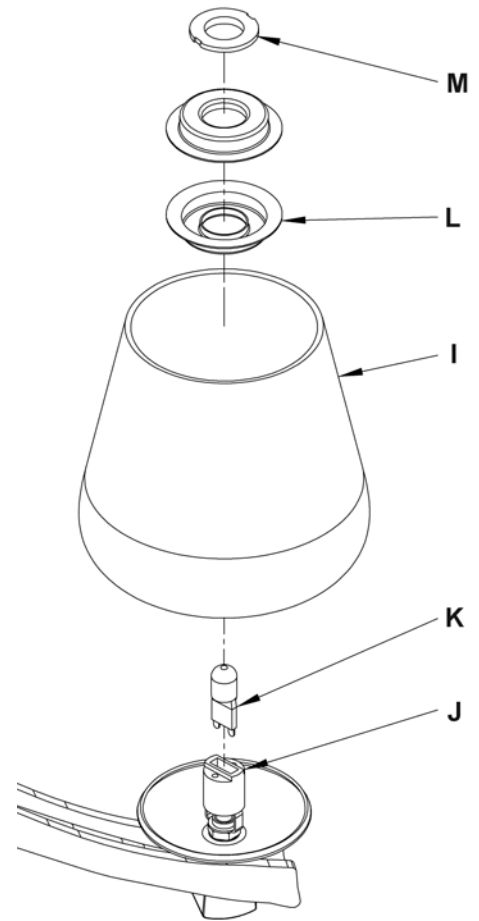
Page 2 of 3

To Install Single Glass Option (Figure 2)

Component Parts

- I Glass (12)
- J Socket (12)
- K Bulb (Included) (12)
- L Spacer (24)
- M Retaining Ring (12)

1. Remove retaining rings (M) from sockets (J). *Retaining rings are shipped installed on sockets.*
2. Install light bulbs (K). *Be careful not to touch bulb with bare hands; oil from the hands will dramatically reduce bulb life.*
3. Slip glass (I) and spacers (L) over socket (J). *Note orientation of spacers.*
4. Thread retaining ring (M) onto socket (J) until snug against spacer (L). *Be careful not to over tighten. Repeat steps 2 thru 4 for all twelve arms.*
5. Restore electricity at main breaker.



(Figure 2)

Assembly & Installation Instructions

For Ribbon Chandelier 19-415612HG

A238

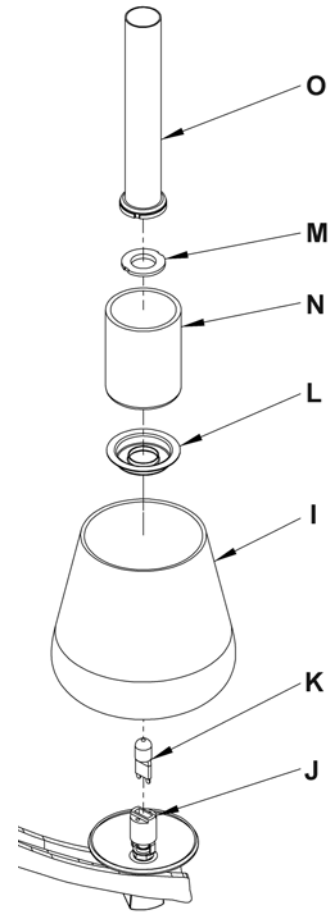
Page 3 of 3

To Install Double Glass Option (Figure 3)

Component Parts

- I Glass (12)
- J Socket (12)
- K Bulb (Included) (12)
- L Spacer (12)
- M Retaining Ring (12)
- N Inner Glass
- O Socket Tool

1. Remove retaining rings (M) from socket (J). *Retaining rings are shipped installed on socket.*
2. Install light bulbs (K). *Be careful not to touch bulb with bare hands; oil from the hands will dramatically reduce bulb life.*
3. Slip glass (I) and spacer (L) over socket (J). *Note orientation of spacer.*
4. Slip inner glass (I) over socket (J).
5. Thread retaining ring (M) onto socket (J) using provided socket tool (J) until snug against inner glass (I). *Be careful not to over tighten. Repeat steps 3 thru 5 for all twelve arms.*
6. Restore electricity at the main breaker.



(Figure 3)

If you need further assistance, or find that you are missing any parts, please contact the dealer from which you purchased this product. We hope you enjoy your fixture!

* Hubbardton Forge will not be liable for injury or damage caused by improper installation, lamping or use of this fixture.