

Assembly & Installation Instructions

A339

Moreau Six Light Pendant 136555

Page 1 of 4

CAUTION: FAILURE TO INSTALL THIS FIXTURE PROPERLY MAY RESULT IN SERIOUS PERSONAL INJURY OR DEATH AND PROPERTY DAMAGE. We recommend installation by a licensed electrician.

This product must be installed in accordance with applicable installation code(s), by a person familiar with the construction and operation of the product and the hazards involved.*

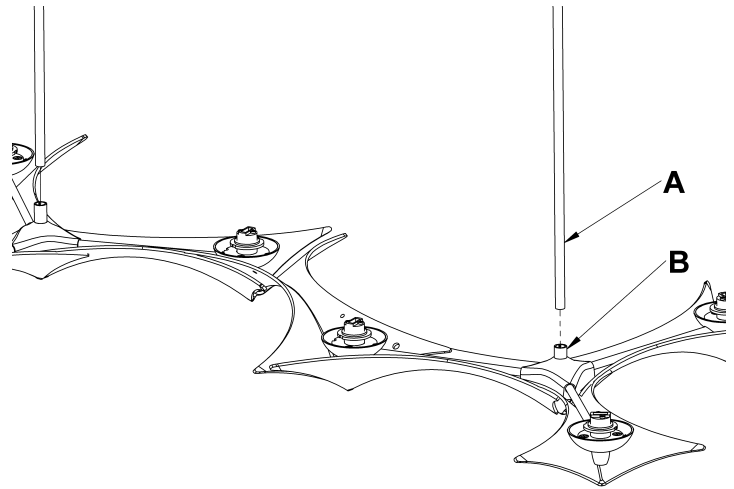
Caution: Do not exceed maximum wattage noted on fixture. Use only recommended bulbs with fixture.

Attach Fixture Pipes (Figure 1)

Component Parts

- A Fixture Pipe (2)
- B Fixture Coupling (2)

1. Carefully unpack the fixture from the carton.
2. Carefully thread fixture pipes (A) over fixture wires.
3. Apply a drop of the supplied thread locking compound to the internal threads of the fixture couplings (B) and screw fixture pipes (A) into fixture, being careful not to twist the wires.
Note: Application of the thread locking compound is necessary to prevent the stem from loosening during regular maintenance and cleaning of the fixture. Be certain to apply the compound.
4. See instructions below to complete the installation.



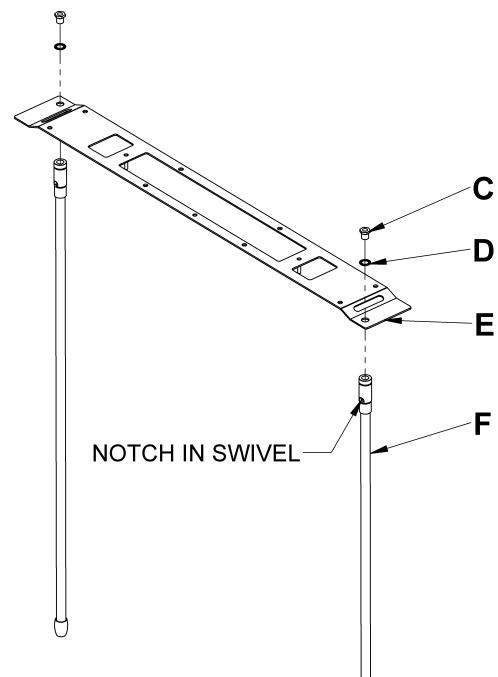
(Figure 1)

Assemble Canopy Pipes to Ceiling Bracket (Figure 2)

Component Parts

- C Hex Nipple (2)
- D Lock Washer (2)
- E Ceiling Bracket
- F Canopy Pipes (2)

1. Insert threaded end of hex nipple (C) down through lock washer (D), ceiling bracket (E) and into swivel at the end of canopy pipe (F).
Note: Ceiling bracket should be oriented with the threaded studs point down.
2. Tighten securely being sure the notches in the swivels are aligned.



(Figure 2)

(continued)

Complete Fixture Assembly (Figures 3 & 4)

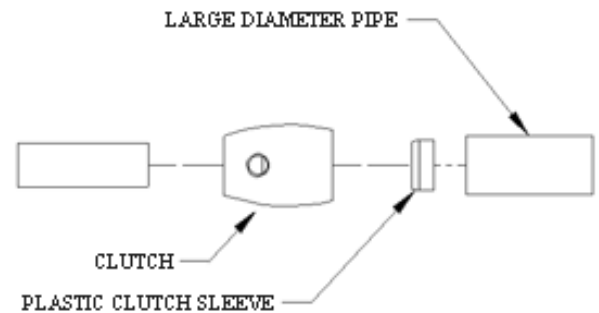
Component Parts

A	Fixture Pipe (2)	G	Clutch (2)
C	Hex Nipple	H	Canopy
F	Canopy Pipe (2)	I	Plastic Clutch Sleeve (2)

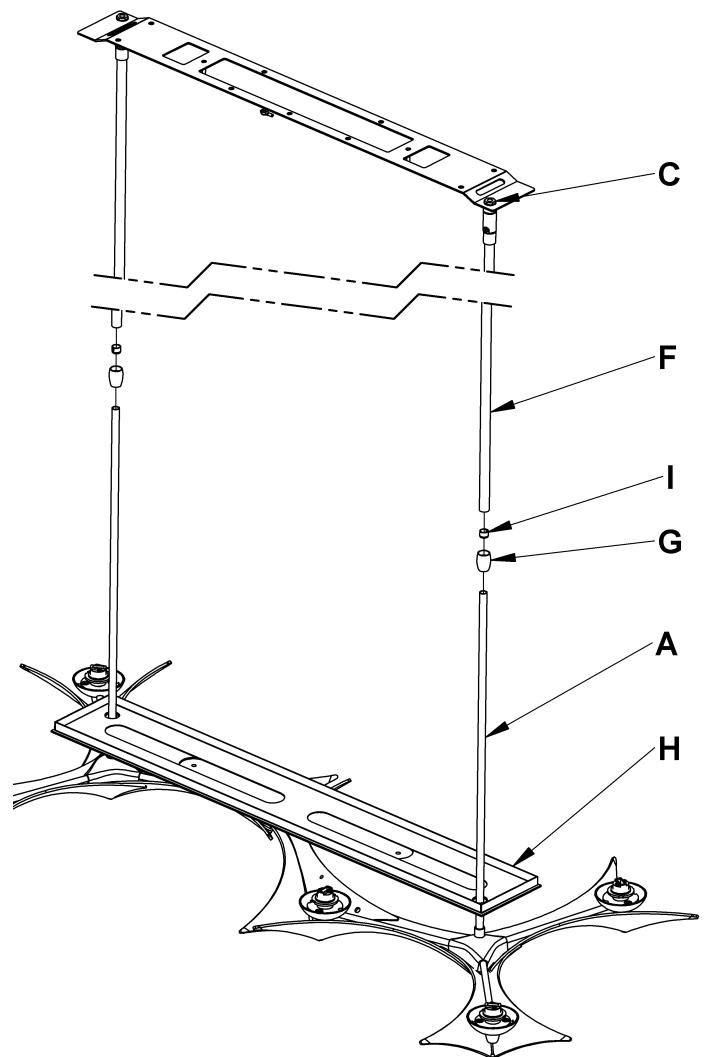
Caution: Be sure power is off at the main breaker box prior to installation.

1. Thread wires from the fixture pipes (A) through canopy (H). Slide canopy (H) down fixture pipes (A) until it rests on top of fixture.
2. Thread the wires from the fixture pipe (A) into and through the canopy pipe (F) up through the hex nipple (C).
3. Unscrew the clutch (G) from the canopy pipe (F); slide it across the wires and onto the fixture pipe (A). Follow this with the plastic clutch sleeve (I), oriented so the tapered end of the clutch sleeve nests in the clutch. Repeat steps for both pipes. (Figure 3).
4. Slide the canopy pipe (F) onto fixture pipe (A) as far as necessary to give you the total length of the fixture which you desire. Be careful not to scratch the pipe surfaces and to pull excess wire up through the canopy pipe (F). Screw clutch (G) onto canopy pipe (F). There must be a minimum 1-1/2" of inner pipe inside the outer pipe. Hand-tighten the clutch to temporarily hold this adjustment. The clutch is not securely fastened at this point; do not depend on it to hold the fixture. Repeat for both pipes.
5. Continue with ceiling installation.

Important: To ensure full connection strength, be sure the tapered end of the plastic clutch sleeve is oriented toward the clutch when assembled (Figure 3).



(Figure 3)



(Figure 4)

(continued)

Assembly & Installation Instructions

Moreau Six Light Pendant 136555

A339

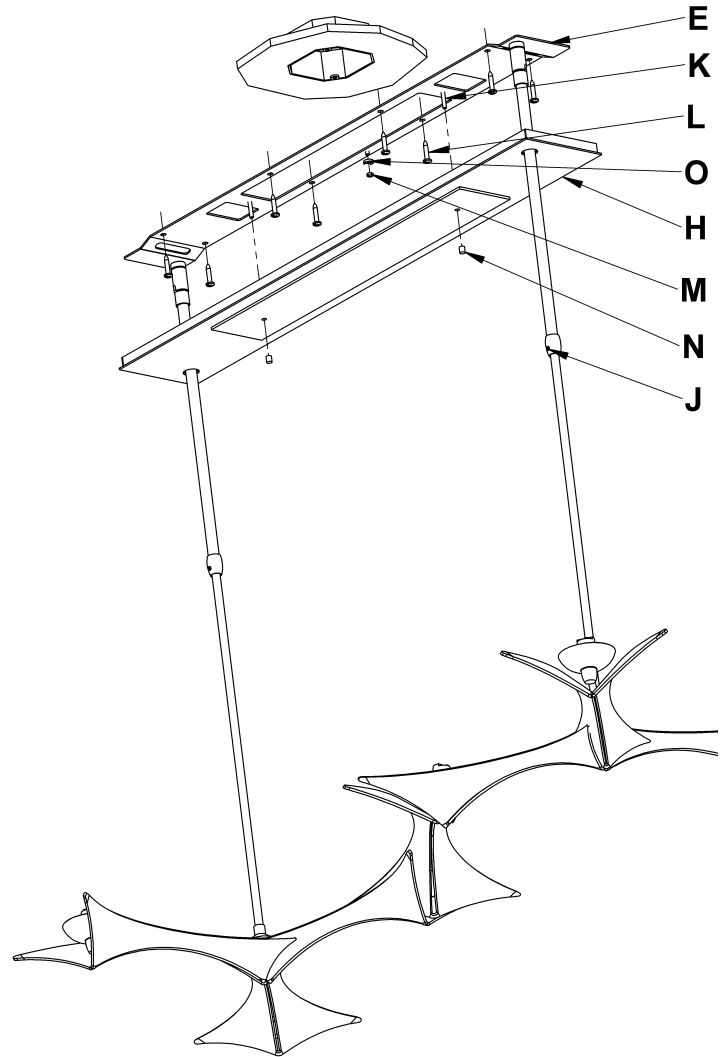
Page 3 of 4

Install to Ceiling (Figure 5)

Component Part

E	Ceiling Bracket	L	#10 Wood Screws (8)
H	Canopy	M	Hex Nut
J	Set Screw (2)	N	Barrel Knobs (2)
K	Threaded Stud (2)	O	Cupped Washer

1. Using wood screws (L) attach ceiling bracket (E) to a structural member in the ceiling, centering the bracket over the outlet box. We've supplied wood screws with your fixture; however, different materials and/or construction methods may require different fasteners. If in doubt, contact a qualified electrician. Do not attach ceiling bracket directly to outlet box.
2. Using suitable wire connectors (not provided) connect fixture wires to supply (white to white and black to black).
3. Using cupped washer (O) and hex nut (M) run a pigtail lead from ceiling bracket to the junction box. Raise canopy (H) and connect all ground wires (bare copper or green to bare copper or green). Push wires back into outlet box.
Caution: Make sure wire connectors are twisted on securely, and no bare wire is exposed.
4. Slide fixture canopy (H) over threaded studs (K) and push firmly to ceiling, making sure that no wires are pinched between fixture canopy and ceiling. Fasten with barrel knobs (N). Be sure studs (K) are fully seated in barrel knobs (N).
5. Once the fixture is fastened to the ceiling, tighten the set screws (J) firmly with hex wrench provided. Only after the set screws (J) are tight should you install the glass. *Be sure to tighten set screws in both clutches.*
6. Refer to instructions following to install glass.



(Figure 5)

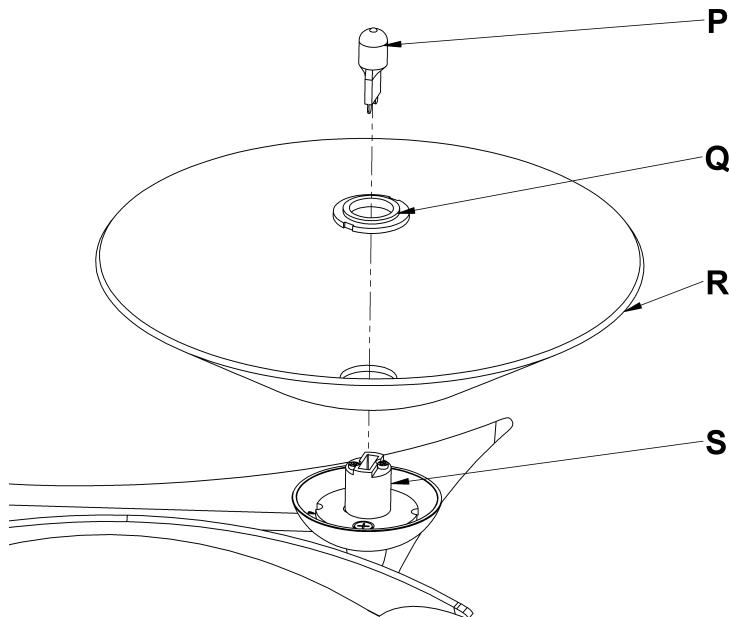
(continued)

Install Bulb and Glass (Figure 6)

Component Parts

- P Bulb (included)
- Q Retaining Ring (6)
- R Glass (6)
- S Socket (6)

1. Remove retaining rings (Q) from sockets (S) and set aside for later use. *Retaining rings are shipped installed on the sockets.*
2. Install light bulb (P). *Be careful not to touch bulb with bare hands; oil from the hands will dramatically reduce bulb life.*
3. Slip glass (R) over socket (S) and thread retaining ring (Q) onto socket (S). *Repeat for all six sockets.*
4. Restore electricity at main breaker.



(Figure 6)

If you need further assistance, or find that you are missing any parts, please contact the dealer from which you purchased this product. We hope you enjoy your fixture!

* Hubbardton Forge will not be liable for injury or damage caused by improper installation, lamping or use of this fixture.