

Installation Instructions

A438

For Oceanus Semi-Flush 126737

Page 1 of 2

CAUTION: FAILURE TO INSTALL THIS FIXTURE PROPERLY MAY RESULT IN SERIOUS PERSONAL INJURY OR DEATH AND PROPERTY DAMAGE. We recommend installation by a licensed electrician.

This product must be installed in accordance with applicable installation code(s), by a person familiar with the construction and operation of the product and the hazards involved.*

Caution: Do not exceed maximum wattage noted on fixture. Use only recommended bulbs with fixture.

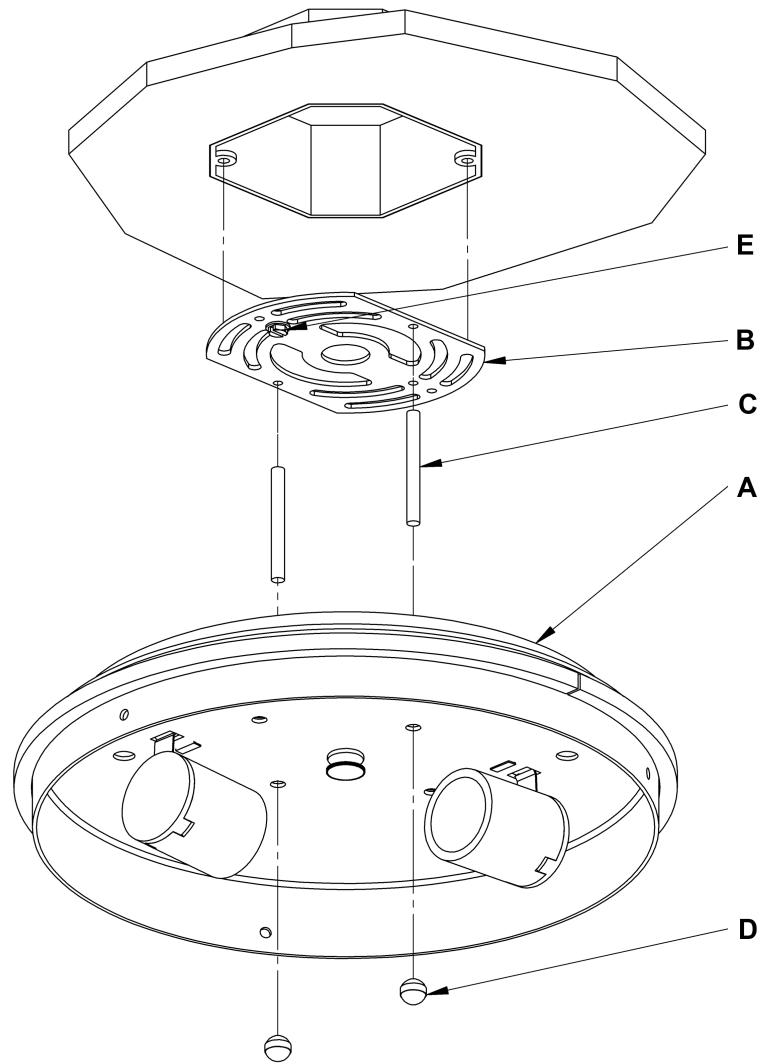
To Install Fixture (Figure 1)

Component Parts

- A Canopy
- B Crossbar
- C Threaded Stud (2)
- D Knurled Balls (2)
- E Ground Screw

Caution: Be sure power is off at the main breaker box prior to installation

1. Thread studs (C) through two holes in crossbar that are opposite each other (B) to match hole centers in canopy (A). Move ground screw (E) to another available threaded hole if necessary.
2. Using two machine screws (not provided) fasten cross bar (B) to the electric box using outer oval holes to orient fixture to desired hanging position. **Note:** A new electric box comes with screws. When replacing an existing fixture, retain the screws for use with the new fixture.
3. Raise fixture close to the ceiling and using suitable wire connectors (not provided); connect fixture wires to supply wires (white to white and black to black). Run a pigtail lead from crossbar ground screw (E) to the junction box and connect all ground wires (Bare copper or green to bare copper or green).
Caution: Make sure wire connectors are twisted on securely, and no bare wire is exposed.
4. Slide fixture canopy (A) over threaded studs (C) and push firmly to ceiling, making sure that no wires are pinched between fixture canopy (A) and ceiling. Fasten with knurled balls (D). Be sure studs (C) are fully seated in knurled balls (D).



(Continued)

Installation Instructions

For Oceanus Semi-Flush 126737

A438

Page 2 of 2

To Install Glass (Figures 2 & 3)

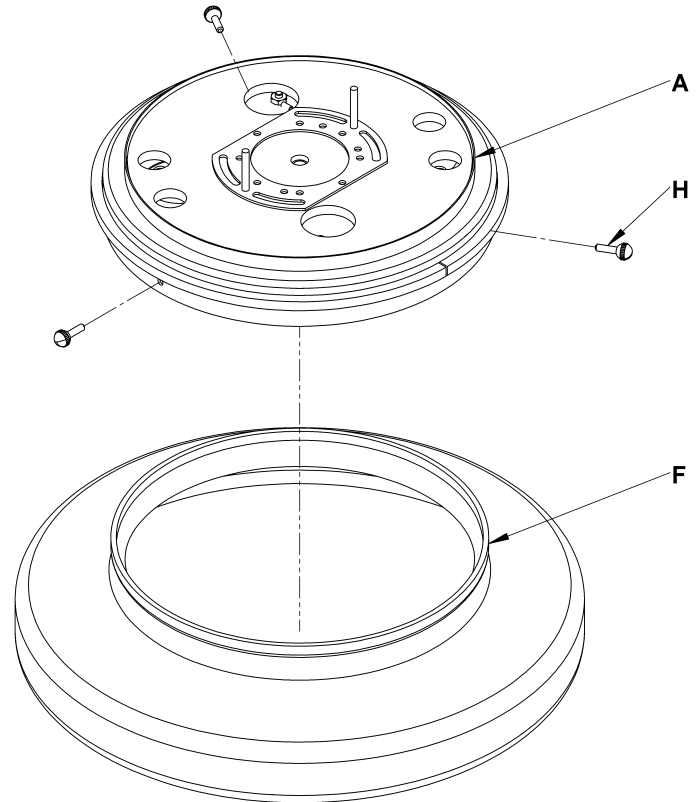
Component Parts

- A Canopy
- F Glass
- G Decorative Ring
- H Ball Head Screws (3)

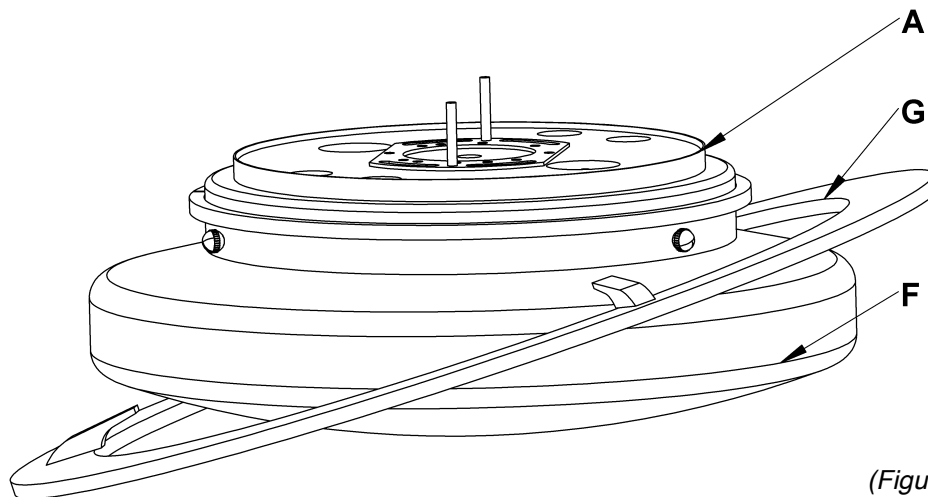
1. Install light bulbs. *(Not Included.)*
2. Loosen the (3) ball head screws (H) enough to allow the glass to be installed
3. Raise glass (F) into canopy (A) and tighten the (3) ball head screws (H) to secure the glass. *Be sure not to overtighten. (Figure 2)*
4. Slide the decorative ring (G) over the glass until all 3 tabs are seated on the glass (F)

Note: *Install decorative ring at an angle so that two tabs rest on the glass. Then swing the decorative ring up until the third tab can rest on the glass. (Figure 3)*

5. Orient decorative ring (G) to desired position
6. Restore electricity at main breaker.



(Figure 2)



(Figure 3)

If you need further assistance, or find that you are missing any parts, please contact the dealer from which you purchased this product. We hope you enjoy your fixture!

* Hubbardton Forge will not be liable for injury or damage caused by improper installation, lamping or use of this fixture.