

**CORINNE  
ACRYLIC DOUBLE  
ROLL TOP TUB**

Cat. No.  
ATDRN71B



L: 72-7/8"  
W: 30-3/4"  
H: 24-7/8"

Water depth: 17-3/4" to top of tub  
Water depth: 13-1/4" to overflow

**The following is recommended for  
ATDRN71B tubs:**

- Faucets: part #4602, #4604 or 7082
- Use with Freestanding Bath Supplies: #4502
- Leg tub drain: part #5599LT or 5599TS

Gallon Capacity: 65  
Shipping Weight: 192 lbs.  
Empty Weight: 132 lbs.  
Filled Weight: 226 lbs.



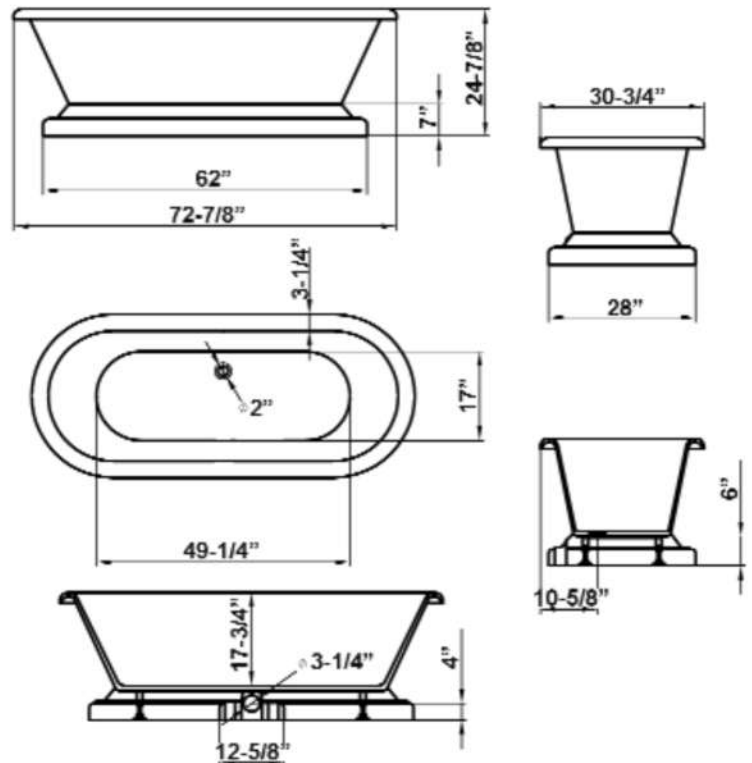
Overflow can be drilled.  
With overflow drilled this tub  
requires drain 5599.  
**Tubs that have been  
drilled with overflow are  
"special order" and  
are not returnable.**

**Features:**

- ▶ Interior and exterior walls 5mm acrylic sheets
- ▶ Space between walls completely filled with fiberglass & resin
- ▶ 7/8" wall thickness
- ▶ Includes base
- ▶ No faucet holes with continuous rolled rim
- ▶ No overflow
- ▶ Tub is thoroughly inspected before shipment
- ▶ Not compatible with the air jet system



**Custom Colors Available** (inside of tub is always white enamel):  
Painted bathtubs are considered "special order" and are not returnable  
\$160 Bisque or Black \$250 Designer Color



Dimensions of fixture are nominal and specifications subject to change without notice.